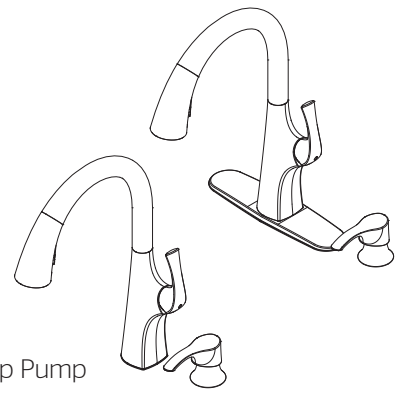


- F529-7LRB Finish(B)
- F529-7LRGS Finish(GS)



- SoloTilt™ One-Hand Soap Pump
- TopPfit™ Installation

Specifications

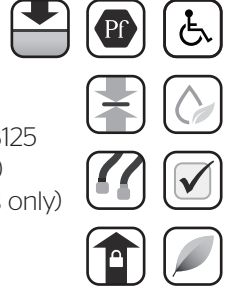
Features

- 1.8 GPM Flow Rate
- TopPfit™ Installation
- 1,2,3 or 4-Hole Installation; Deck Plate or Single Hole Mounting Option
- 2 Function Pull-Down Sprayer
- 360° Rotating Swivel Spout
- AccuDock™ Sprayhead Docking
- Forward Handle Operation
- Spot Defense™ Finish Resists Spots and Fingerprints (GS Finish Only)
- Mounting Hardware Included
- Flex-Line Supply Lines
- Quick Install Tool
- Pfaster Connect™
- SoloTilt™ One-Hand Soap Dispenser Included
- TiteSeal™ Technology
- Pforever Seal™ Ceramic Disc Valve
- Pforever Warranty®

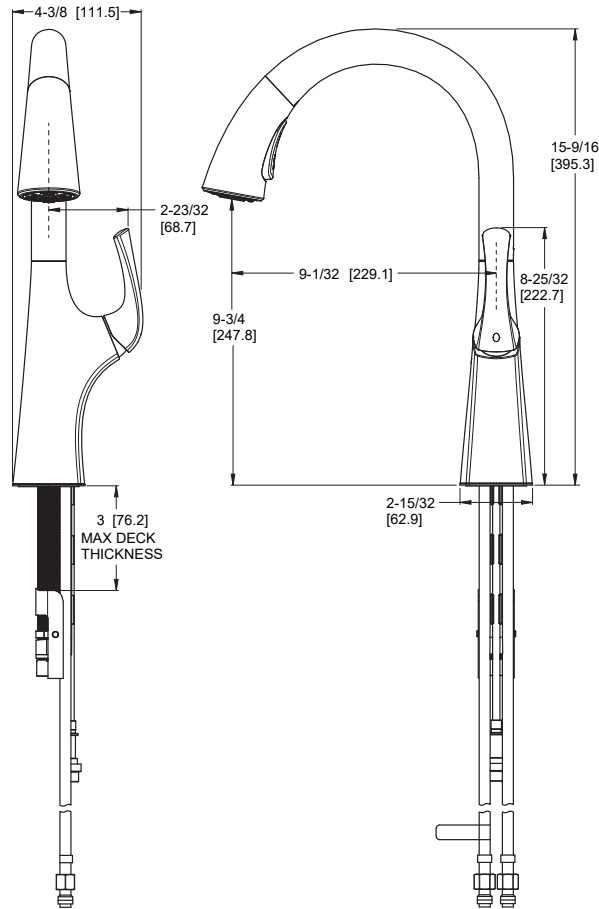
Code Compliance

Pfister products are designed and manufactured in compliance with the following standards and codes:

- IAPMO Certified to ASME A112.18.1/ CSA B125
- Certified to NSF 61/9 Annex G (Low lead)
- ADA Compliant-ANSI A117.1 (lever handles only)
- CEC Compliant
- CALGreen Compliant
- ASME A112.18.3 (Backflow Prevention)

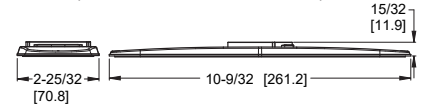


Dimensions

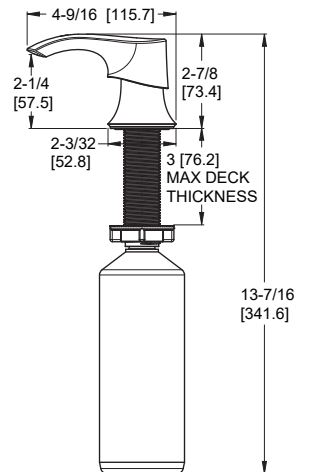


Ø1-3/8 Min to Ø1-1/2 Max. Deck Hole Openings

Optional Included Deckplate



Top Filling Soap Dispenser



36 Inch Supply Lines with
3/8 Female Compression
Brass Connections

