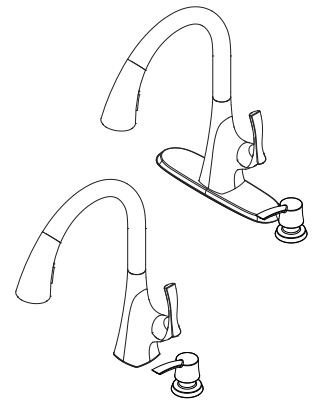


F-529-7MCC Finish(C)

F-529-7MCS Finish(S)



Specifications

Features

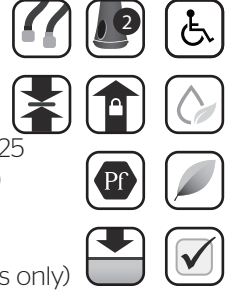
- 1.8 GPM Flow Rate
- 1, 2, 3 or 4-Hole Installation; Single Hole Mounting or Optional Deckplate
- 2 Function Pull-Down Sprayer (Spray & Stream)
- 3/8" Connection
- 8.1" Extended Hose
- AccuDock™ Spray Head Docking
- 360° Rotating High Arc Spout
- Easy to Clean Nozzles

- Swivel Spout
- Flexible PERT Supply Lines
- Forward Handle Operation
- Nylon Braided HDPE Hose
- Soap Dispenser Included
- TiteSeal™ Deck Plate
- Quick Install Tool
- Pfast Connect™
- Pforever Seal Ceramic Disc Valve
- Pforever Warranty®

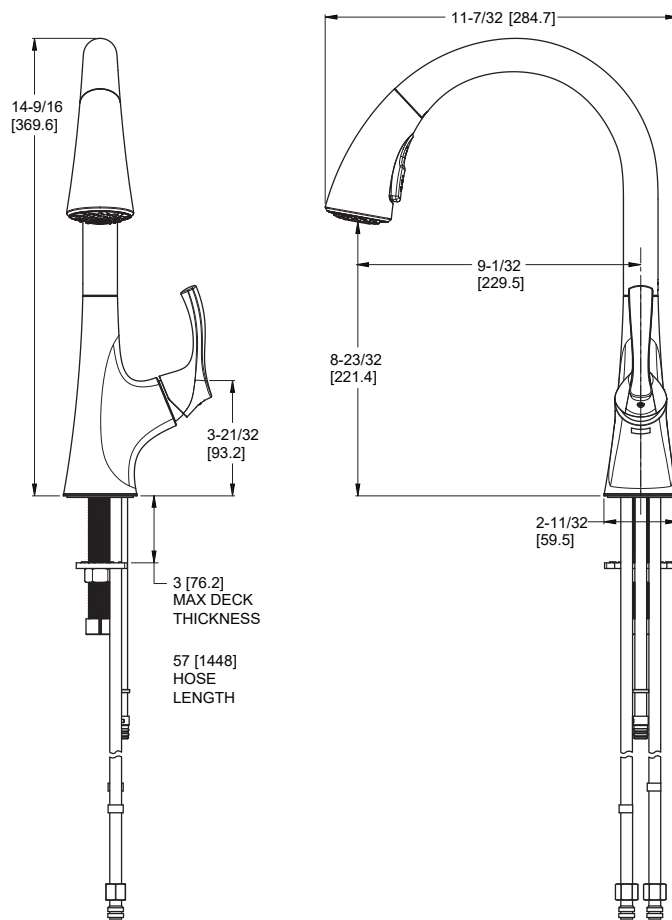
Code Compliance

Pfister products are designed and manufactured in compliance with the following standards and codes:

- IAPMO Certified to ASME A112.18.1/CSA B125
- Certified to NSF 61/9 Annex G (Low lead)
- CEC Compliant
- CALGreen Compliant
- ADA Compliant-ANSI A117.1 (Lever handles only)
- ASME A112.18.3 (Backflow Prevention)

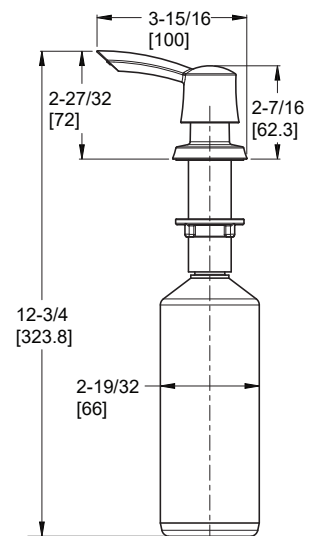


Dimensions



Ø1-3/8 Min to Ø1-1/2 Max. Deck Hole Openings

Top Filling Soap Dispenser



Optional Deckplate

