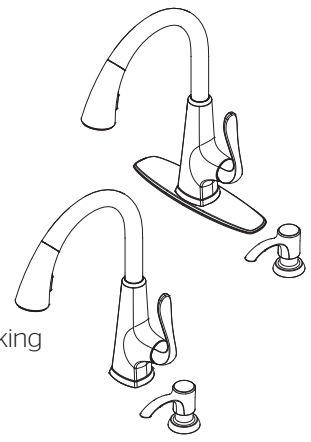


- F529-7PDC Finish(C)
- F529-7PDS Finish(S)
- F529-7PDY Finish(Y)
- F529-PDSL Finish(SL)



- AccuDock Spray Head Docking
- TiteSeal™ Deck Plate
- 1, 2, 3, or 4-Hole Installation
- Pforever Seal

## Specifications

### Features

- 1.8 GPM Flow Rate
- 1, 2, 3, or 4-Hole Installation; Deck Plate or Single Hole Mounting Option
- 2 Function Pull-Down Sprayer
- 360° Rotating Spout
- Flex-Line Supply Lines
- Mounting Hardware Included
- Soap Dispenser Included
- AccuDock™ Spray Head Docking
- High Arc Spout
- PVD Finish
- Pfinish Guard (SL Only)
- TiteSeal™ Technology
- Quick Install Tool
- Pfast Connect™
- Pforever Seal™ Ceramic Disc Valve
- Limited Lifetime Warranty



### Code Compliance

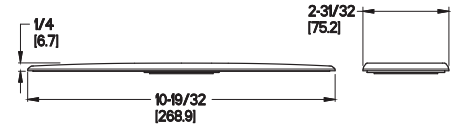
Pfister products are designed and manufactured in compliance with the following standards and codes:

- IAPMO Certified to ASME A112.18.1/CSA B125.1 including:
  - ASME A112.18.3 (Backflow Prevention)
- NSF/ANSI/CAN61:Q≤1
- CEC Certified/CALGreen compliant
- ADA Compliant - ANSI A117.1 (Lever Handle Only)

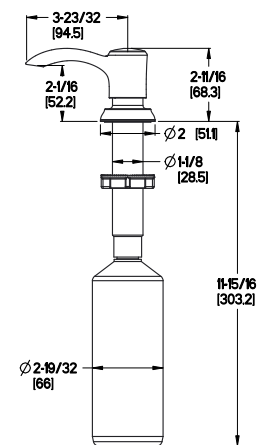


## Dimensions

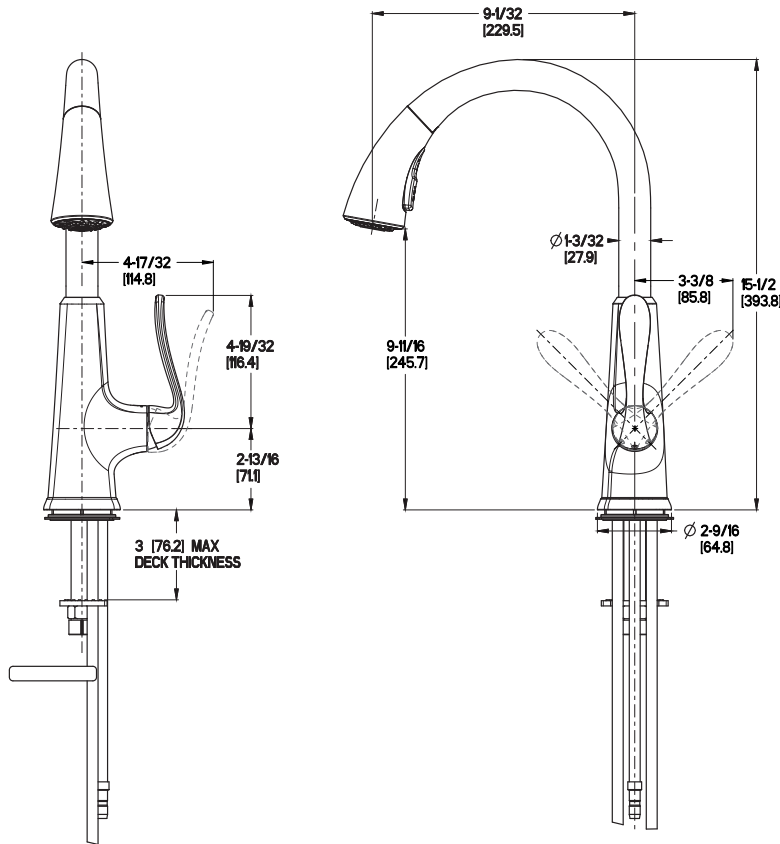
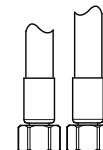
### Optional Included Deckplate



### Top Filling Soap Dispenser



36 Inch Supply Lines with  
3/8 Female Compression  
Brass Connections



Ø1-3/8 Min to Ø1-1/2 Max. Deck Hole Openings