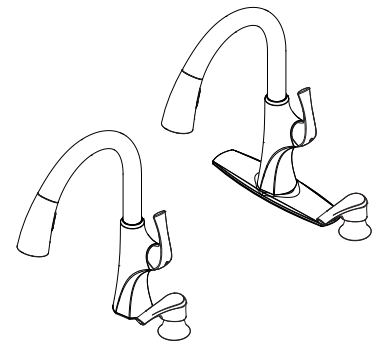


- F529-7RCHB Finish(B)
- F529-7RCHBG Finish(BG)
- F529-7RCHC Finish(C)
- F529-7RCHGS Finish(GS)



## Specifications

- MagnePfit™ With Auto-Align™ Docking
- TopPfit™ Installation

### Features

- 1.8 GPM Flow Rate
- 1,2,3 or 4-Hole Installation; Deck Plate or Single Hole Mounting Option
- Auto-Align™ Sprayhead Alignment
- MagnePfit™ Sprayhead Docking
- 3 Function Pull-Down Sprayer (Spray, Stream, and HydroBlade™)
- 360° Rotating High Arc Swivel Spout
- TopPfit™ Top Mount Installation
- TopPfit™ Install Tool Included
- Forward Handle Operation
- Spot Defense™ Finish Resists Spots and Fingerprints (GS Finish Only)
- 15" Extended Pull-Down Length
- Nylon Braided HDPE Hose
- Pfaster Connect™
- Flexible PERT Supply Lines
- SoloTilt™ One-Hand Soap Dispenser Included
- TiteSeal™ Technology
- Pforever Seal™ Ceramic Disc Valve
- Limited Lifetime Warranty



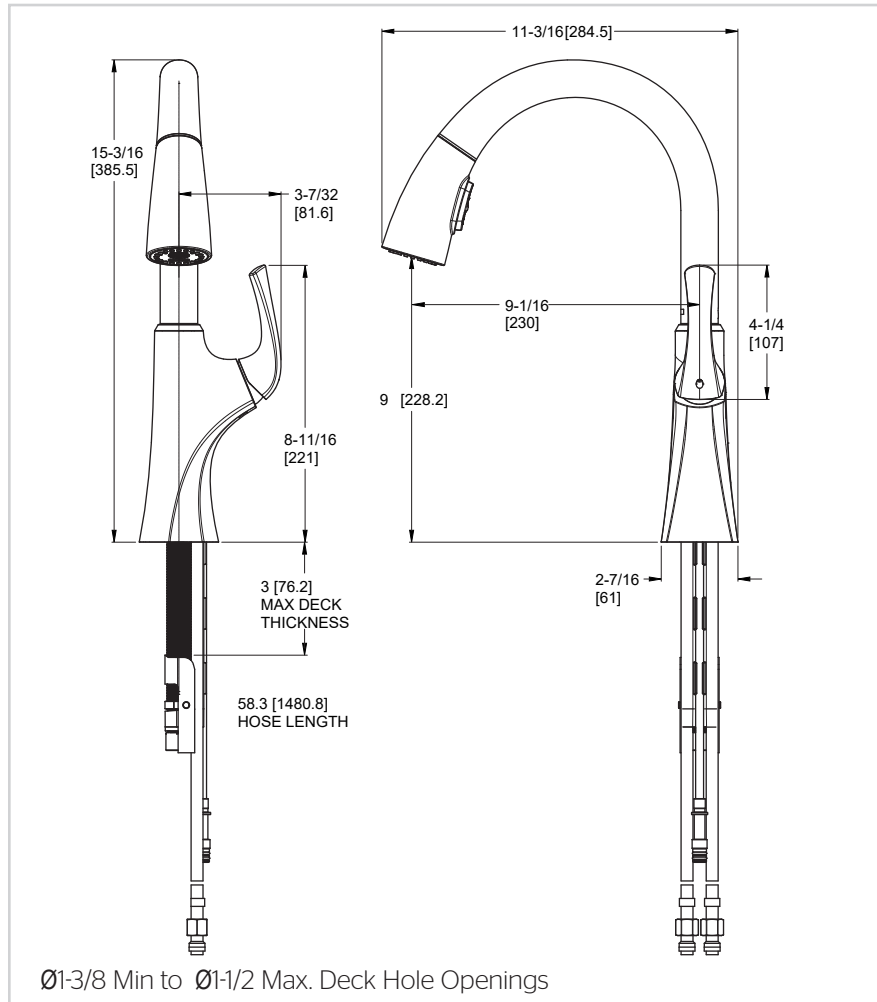
### Code Compliance

Pfister products are designed and manufactured in compliance with the following standards and codes:

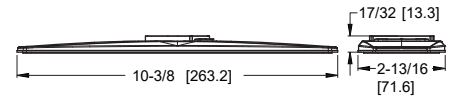
- IAPMO Certified to ASME A112.18.1/CSA B125.1 including:
  - ASME A112.18.3 (Backflow Prevention)
- NSF/ANSI/CAN61:Q≤1
- CEC Certified/CALGreen compliant
- ADA Compliant - ANSI A117.1 (Lever Handle Only)



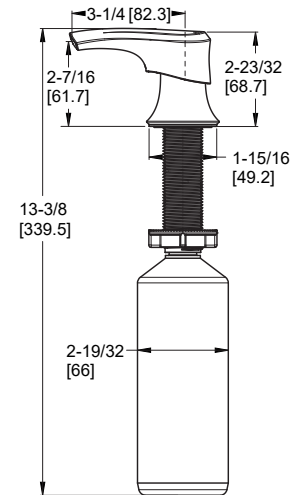
## Dimensions



### Optional Included Deckplate



### Top Filling Soap Dispenser



### 36 Inch Supply Lines with 3/8 Female Compression Brass Connections

