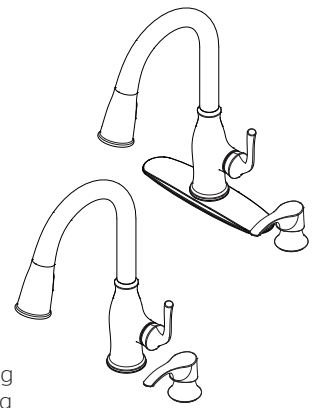


- F-529-7RSSRB Finish(B)
- F-529-7RSSRC Finish(C)
- F-529-7RSSRGS Finish(GS)
- F-529-7RSSRY Finish(Y)



Specifications

Features

- 1.8 GPM Flow Rate
- 1, 2, 3 or 4-Hole Installation; Single Hole Mounting or Optional Deckplate
- 2 Function Pull-Down Sprayer (Spray & Stream)
- 3/8" Connection
- 13.5" Extended Pull-Down Hose Length
- 36" Integrated Flexible PERT Supply Lines
- Auto-Align™ Sprayhead Docking
- MagnePfit™ Sprayhead Docking
- 360° Rotating High Arc Swivel Spout
- Forward Handle Operation
- Nylon Braided Hose
- SoloTilt™ One-Hand Soap Dispenser Included
- Spot Defense™ Finish Resists Spots and Fingerprints (GS Finish Only)
- TiteSeal™ Deck Plate
- Quick Install Tool
- Wipe Clean Nozzles
- Pfast Connect™
- Pforever Seal™ Ceramic Disc Valve
- Limited Lifetime Warranty



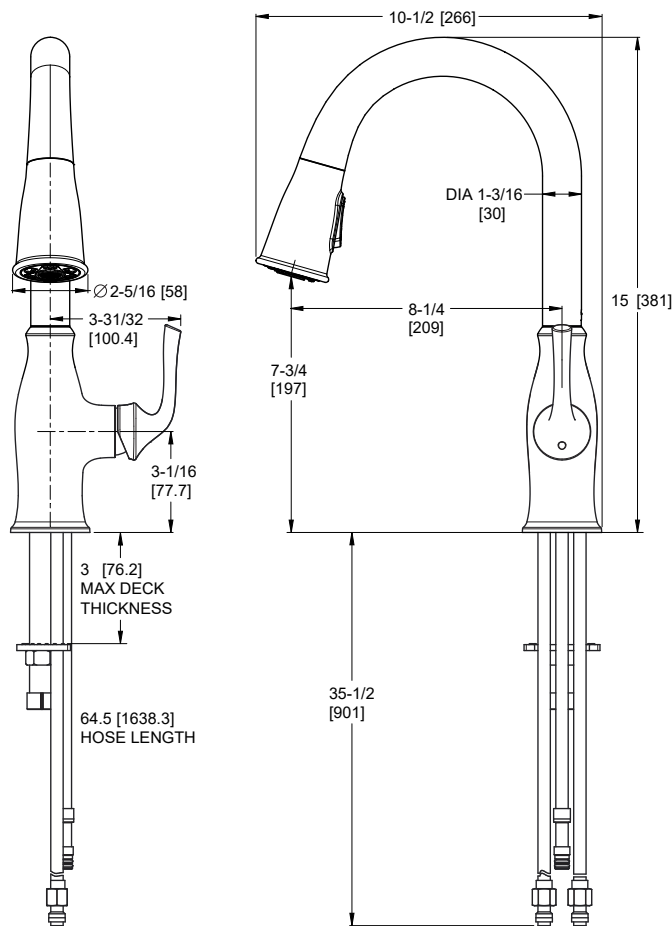
Code Compliance

Pfister products are designed and manufactured in compliance with the following standards and codes:

- IAPMO Certified to ASME A112.18.1/CSA B125.1 including:
 - ASME A112.18.3 (Backflow Prevention)
- NSF/ANSI/CAN61:Q≤1
- CEC Certified/CALGreen compliant
- ADA Compliant - ANSI A117.1 (Lever Handle Only)

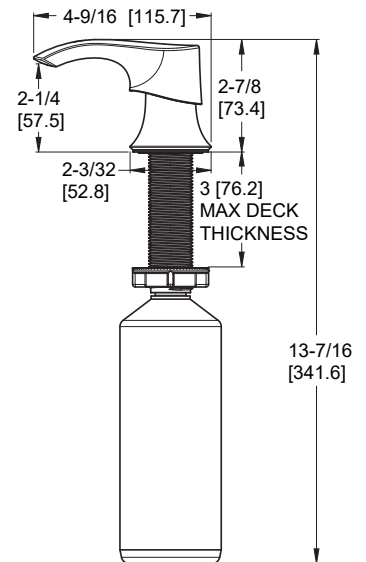


Dimensions



Ø1-3/8 Min to Ø1-1/2 Max. Deck Hole Openings

Top Filling Soap Dispenser



Optional Included Deckplate

