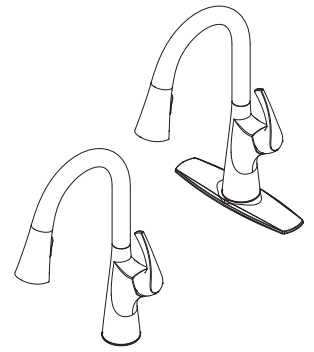


- F529-7TEB Finish(B)
- F529-7TEBG Finish(BG)
- F529-7TEC Finish(C)
- F529-7TEGS Finish(GS)



Specifications

- MagnePfit™ With Auto-Align™ Docking
- TopPfit™ Installation

Features

- 1.8 GPM Flow Rate
- TopPfit™ Top Mount Installation
- 1 or 3-Hole Installation; Deck Plate or Single Hole Mounting Option
- 3 Function Pull-Down Sprayer (Spray, Stream, and HydroBlade™)
- 360° Rotating High Arc Swivel Spout
- MagnePfit™ Sprayhead Docking
- Auto-Align™ Sprayhead Docking
- Spot Defense™ Finish Resists Spots and Fingerprints (GS Finish Only)
- Wipe Clean™ Nozzles
- TopPfit™ Install Tool Included
- 11.5" Pull-Down Hose Length
- Nylon Braided Hose
- 36" Integrated Flexible PERT Supply Lines with 3/8" Connection
- Forward Handle Operation
- Optional SoloTilt™ One-Hand Soap, Order KSD-KEM* Separately
- TiteSeal™ Technology
- Pforever Seal™ Ceramic Disc Valve
- Limited Lifetime Warranty



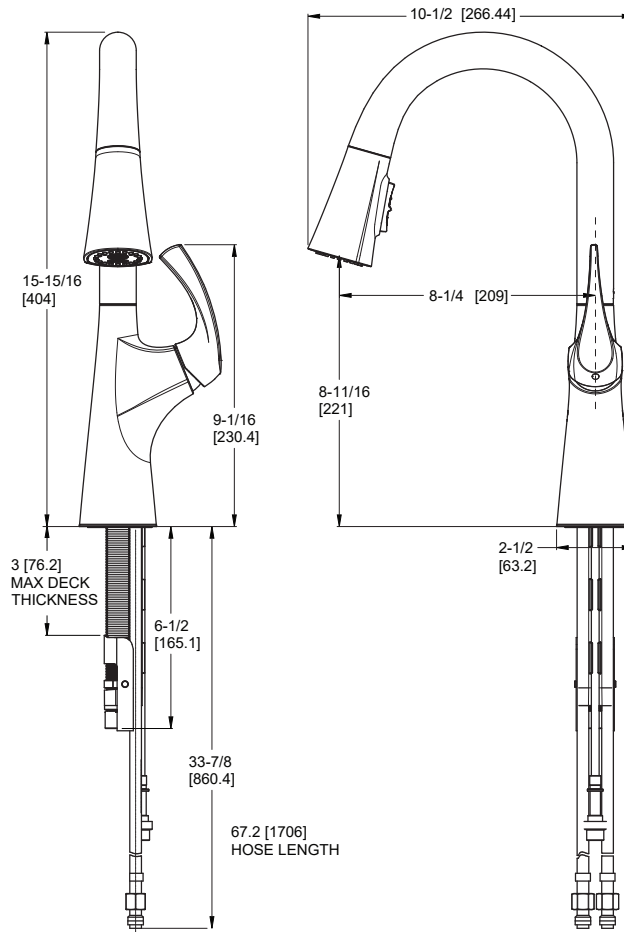
Code Compliance

Pfister products are designed and manufactured in compliance with the following standards and codes:

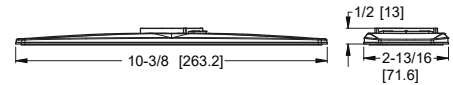
- IAPMO Certified to ASME A112.18.1/CSA B125.1 including:
 - ASME A112.18.3 (Backflow Prevention)
- NSF/ANSI/CAN61:Q≤1
- CEC Certified/CALGreen compliant
- ADA Compliant - ANSI A117.1 (Lever Handle Only)



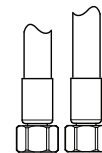
Dimensions



Optional Included Deckplate



36 Inch Supply Lines with 3/8 Female Compression Brass Connections



Ø1-3/8 Min to Ø1-1/2 Max. Deck Hole Openings