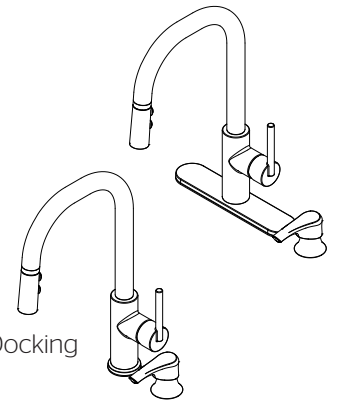


- F529-7ZN3B Finish(B)
- F529-7ZN3BS Finish(BS)
- F529-7ZN3C Finish(C)
- F529-7ZN3GS Finish(GS)



- AccuDock™ Sprayhead Docking
- Spot Defense™
- Pforever Seal

Specifications

Features

- 1.8 GPM Flow Rate
- 1, 2, 3 or 4-Hole Installation; Optional Deck Plate Included
- 3 Function Pull-Down Sprayer (Spray, Stream, and Pause)
- AccuDock™ Sprayhead Docking
- Easy to Clean Nozzles
- Forward Handle Operation
- Mounting Hardware Included
- Pfast Connect™
- 360° Rotating Swivel Spout
- 59" Nylon Braided Hose
- 13" Extended Hose Length
- 36" Flex Supply Lines
- Spot Defense™ Finish Resists Spots and Fingerprints
- Quick Install Tool
- Soap Pump Included
- Pforever Seal™ Ceramic Disc Valve
- Limited Lifetime Warranty



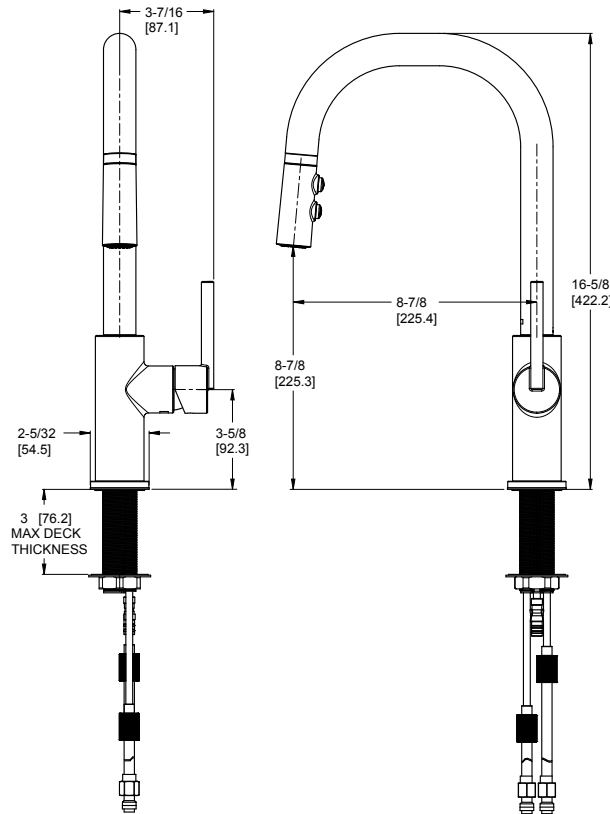
Code Compliance

Pfister products are designed and manufactured in compliance with the following standards and codes:

- IAPMO Certified to ASME A112.18.1/CSA B125.1 including:
 - ASME A112.18.3 (Backflow Prevention)
- NSF/ANSI/CAN61:Q≤1
- CEC Certified/CALGreen compliant
- ADA Compliant - ANSI A117.1 (Lever Handle Only)

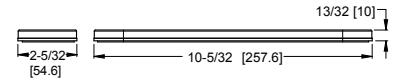


Dimensions

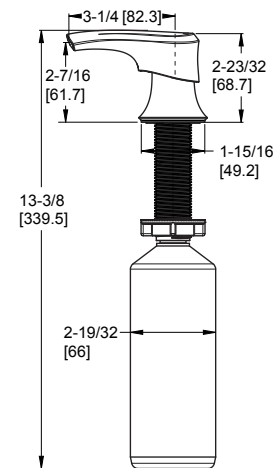


Ø1-3/8 Min to Ø1-1/2 Max. Deck Hole Openings

Optional Included Deckplate



Top Filling Soap Dispenser



36 Inch Supply Lines with 3/8 Female Compression Brass Connections

