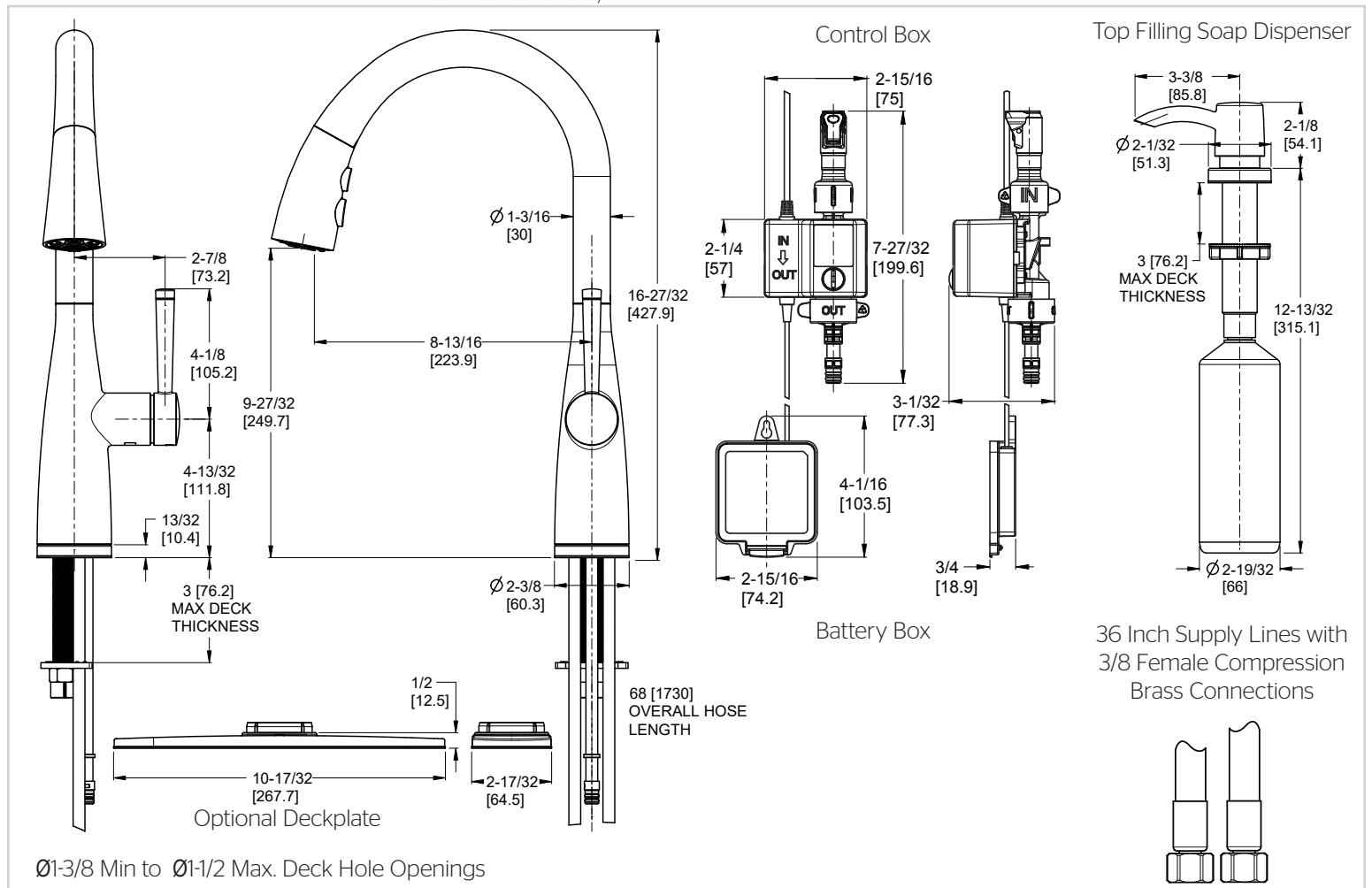


Specifications

Features

- 1.8 GPM Flow Rate
- React™ Touch-Free Technology
- 1, 2, 3, or 4-Hole Installation; Deck Plate or Single Hole Mounting Option
- 3 Function Pull-Down Sprayer
- AccuDock Sprayhead Docking
- 360° Rotating Spout
- Mounting Hardware Included
- Spot Defense™ Finish Resists Spots and Fingerprints
- Forward Handle Operation
- High Arc Spout
- Quick Install Tool
- 14" Extended Pull-Down Length
- Braided PET Hose
- Battery Pack Included (4xAA Batteries)
- Optional AC Adapter Available (Order 952-008 Separately)
- SmartStop
- Low Battery Indicator
- Manual Override
- Temperature Adjust
- Soap Dispenser Included
- TiteSeal™ Deckplate
- PERT Supply Lines
- Pfaster Connect™
- Pforever Seal™ Ceramic Disc Valve
- Limited Lifetime Warranty

Dimensions



Code Compliance



Pfister products are designed and manufactured in compliance with the following standards and codes:

- IAPMO Certified to ASME A112.18.1/CSA B125.1 including:
 - ASME A112.18.3 (Backflow Prevention)
- NSF/ANSI/CAN61:Q≤1
- CEC Certified/CALGreen compliant
- ADA Compliant - ANSI A117.1 (Lever Handle Only)

