

- Pull-out Sprayer
- Pforever Seal
- Push & Seal™ Pop-Up

Specifications

Features

- 1.5 GPM Flow Rate
- 3-Hole Installation
- 29" Nylon Hose
- Fixed Hub
- Pull-out Sprayer
- Push & Seal™ Pop-Up
- PVD Finish
- Pforever Seal Ceramic Disc Valve
- Pforever Warranty®

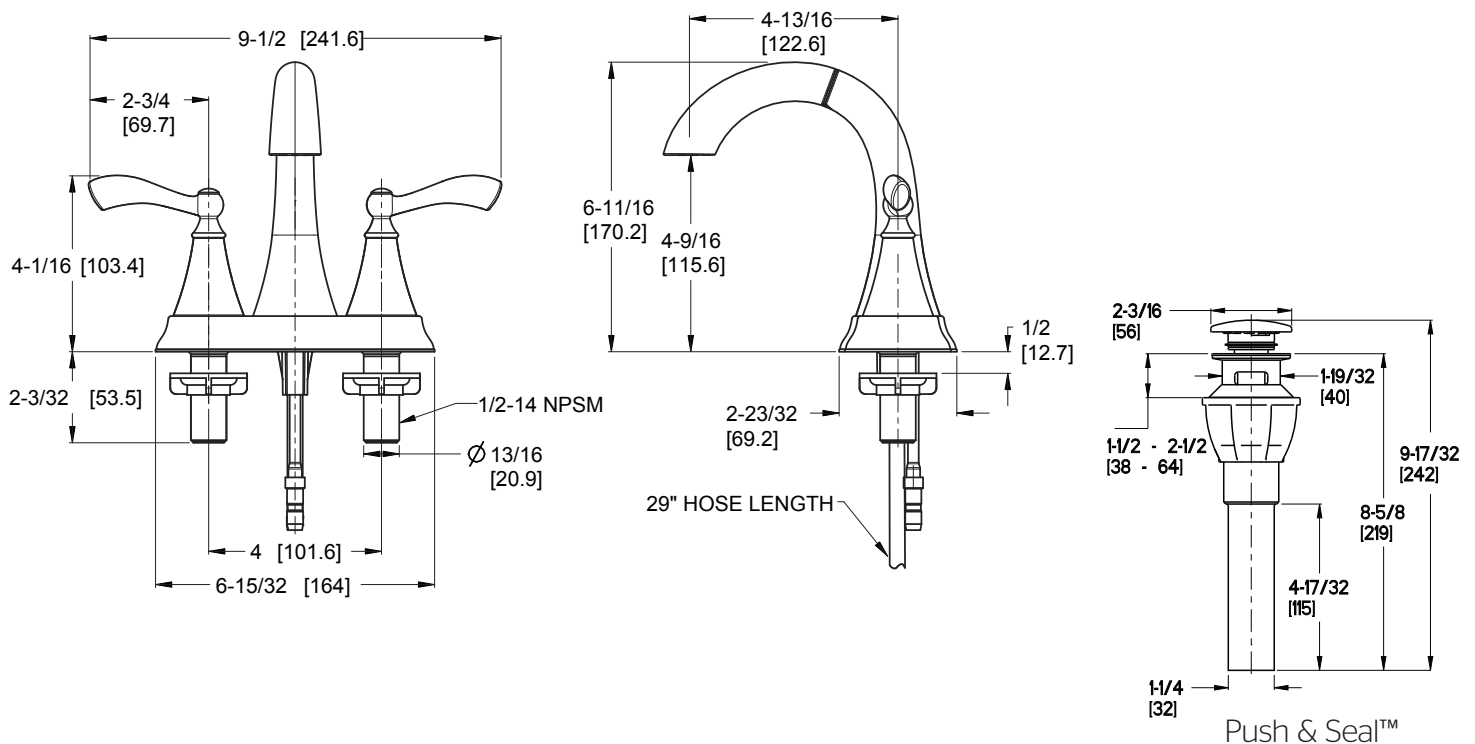
Code Compliance

Pfister products are designed and manufactured in compliance with the following standards and codes:

- IAPMO Certified
- CSA B125 Certified
- ASME A112.18.1
- NSF 61/9 Annex G (Low lead)
- EPA WaterSense Certification 1.5 gpm, 5.7 L/Min
- Cal Green Compliant
- ADA Compliant-ANSI A117.1 (Lever handles only)
- ASME A112.18.3 (Backflow Prevention)



Dimensions



Ø1 Min to Ø1-1/2 Max. Deck Hole Openings