

Specifications

- Swivel Spout
- Pforever Seal
- Pforever Warranty®

Features

- 2.2 GPM Flow Rate
- Side Spray
- Swivel Spout
- Pfast Connect™
- Mounting Hardware Included
- Pforever Seal Ceramic Disc Valves
- Pforever Warranty®

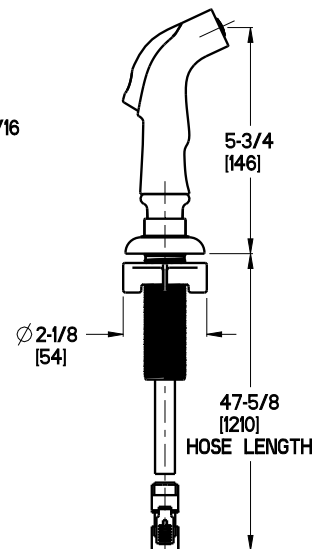
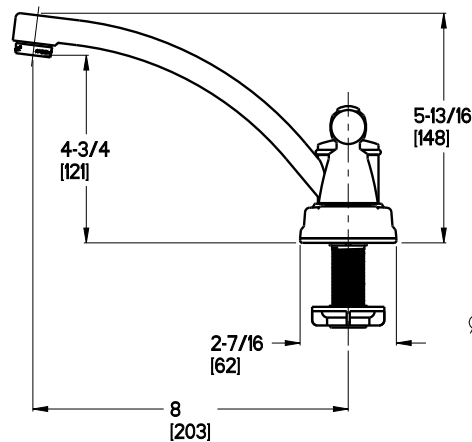
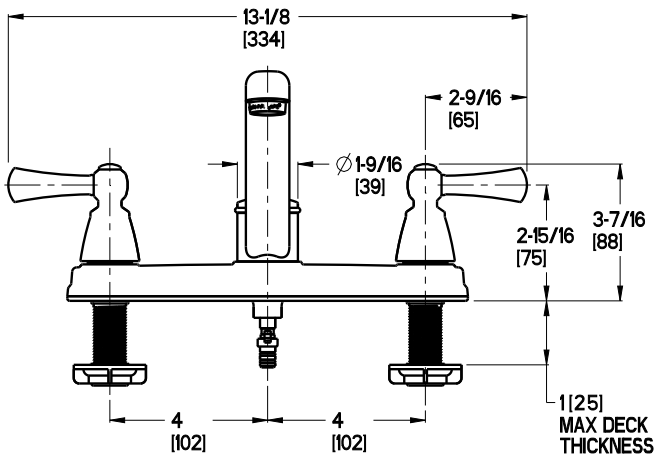
Code Compliance

Pfister products are designed and manufactured in compliance with the following standards and codes:

- IAPMO Certified
- CSA B125 Certified
- ASME A112.18.1
- NSF 61/9 Annex G (Low lead)
- ADA Compliant-ANSI A117.1 (Lever handles only)
- ASME A112.18.3 (Backflow Prevention)



Dimensions



\varnothing 1-3/8 Min to \varnothing 1-1/2 Max. Deck Hole Openings