

Specifications

- 2 or 4-Hole Installation
- Swivel Spout

Features

- 2.2 GPM Flow Rate
- 2 Function Pull-Out Sprayer
- Mounting Hardware Included
- Optional Deckplate
- Soap Dispenser Included
- Swivel Spout
- Pforever Seal Ceramic Disc Valve
- Pforever Warranty®

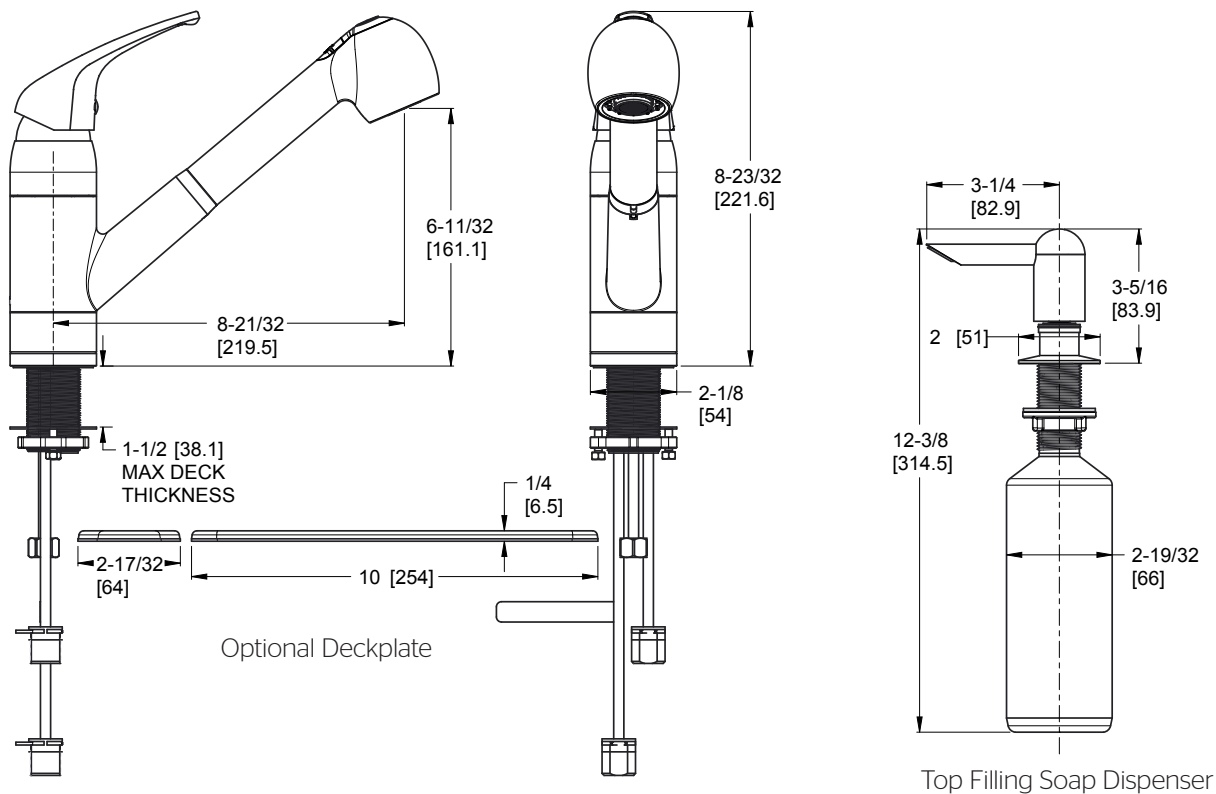
Code Compliance

Pfister products are designed and manufactured in compliance with the following standards and codes:

- IAPMO Certified
- CSA B125 Certified
- ASME A112.18.1
- NSF 61/9 Annex G (Low lead)
- ADA Compliant-ANSI A117.1 (Lever handles only)
- ASME A112.18.3 (Backflow Prevention)



Dimensions



Ø1-3/8 Min to Ø1-1/2 Max. Deck Hole Openings