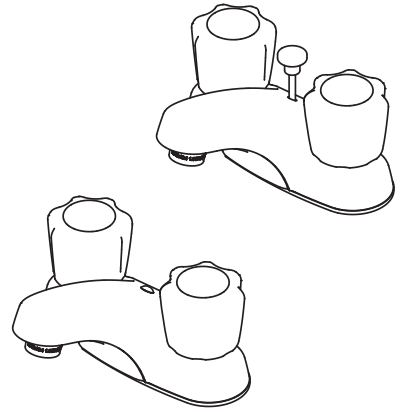


F-WL2-200C Finish(C)

F-WL2-20NC Finish(C)



Specifications

- 3-Hole Installation

Features

- 1.5 GPM Flow Rate
- Mounting Hardware Included
- Pull-Up Rod Included (200 Only)
- Pforever Warranty®

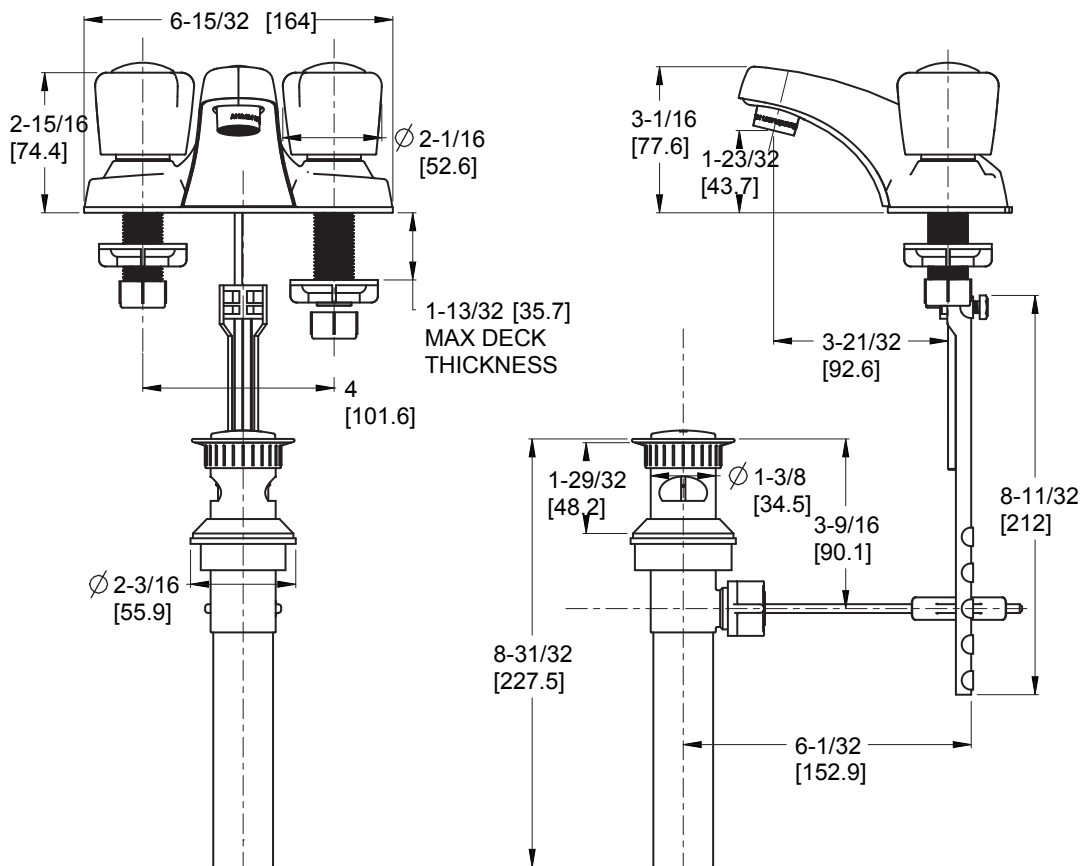
Code Compliance



Pfister products are designed and manufactured in compliance with the following standards and codes:

- IAPMO Certified
- CSA B125 Certified
- ASME A112.18.1
- NSF 61/9 Annex G (Low lead)

Dimensions



ϕ 1 Min to ϕ 1-1/2 Max. Deck Hole Openings