

### Specifications

- Two-Handle
- 3-Hole Installation
- Washerless Valves

### Features

- 1.5 GPM Flow Rate
- Mounting Hardware Included
- Pull-Up Rod Included
- Pforever Warranty®

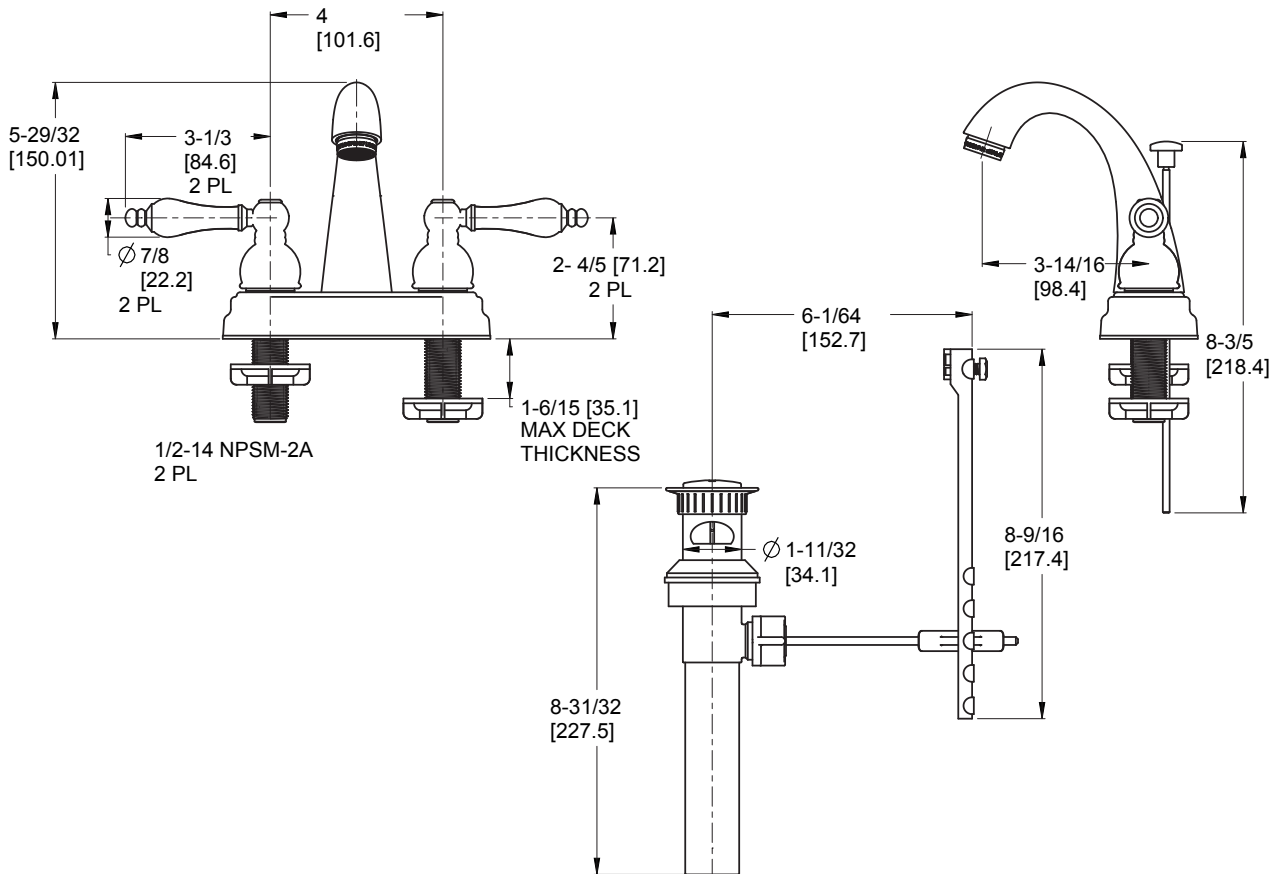
### Code Compliance

Pfister products are designed and manufactured in compliance with the following standards and codes:

- IAPMO Certified
- CSA B125 Certified
- ASME A112.18.1
- NSF 61/9 Annex G (Low lead)
- Cal Green Compliant
- EPA Watersense Certification 1.5 gpm, 5.7 L/Min
- ADA Compliant-ANSI A117.1 (Lever handles only)



### Dimensions



Ø1 Min to Ø1-1/2 Max. Deck Hole Openings