

Specifications

Features

- 1.8 GPM Flow Rate
- Metal Verve® Handles
- Washerless Valves
- Pforever Warranty®

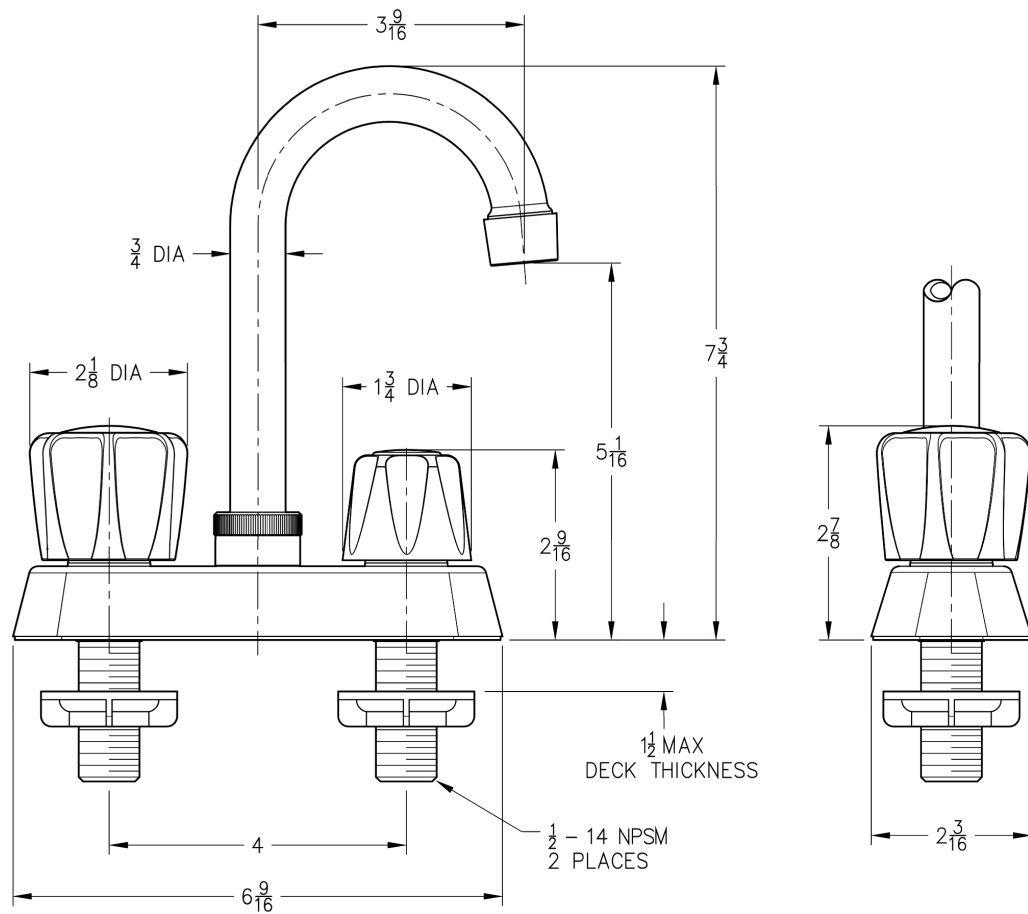
Code Compliance

Pfister products are designed and manufactured in compliance with the following standards and codes:

- IAPMO Certified
- CSA B125 Certified
- ASME A112.18.1
- NSF 61/9 Annex G (Low lead)
- Cal Green Compliant



Dimensions



Ø1-3/8 Min to Ø1-1/2 Max. Deck Hole Openings