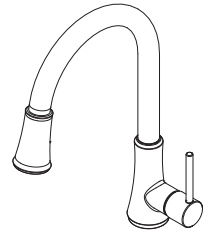


Pfirst Series™ Pull-Down Kitchen Faucet



- G529-PF2B Finish(B)
- G529-PF2C Finish(C)
- G529-PF2S Finish(S)
- G529-PF2Y Finish(Y)

Specifications

Features

- 1.8 GPM Flow Rate
- Optional Deckplate Available, Order 961-250*
- 3 Function Pull-Down Sprayer (Stream, Spray, and Pause)
- Pfast Connect™
- Forward Handle Operation
- Pforever Seal™ Ceramic Disc Valve
- Limited Lifetime Warranty

Code Compliance

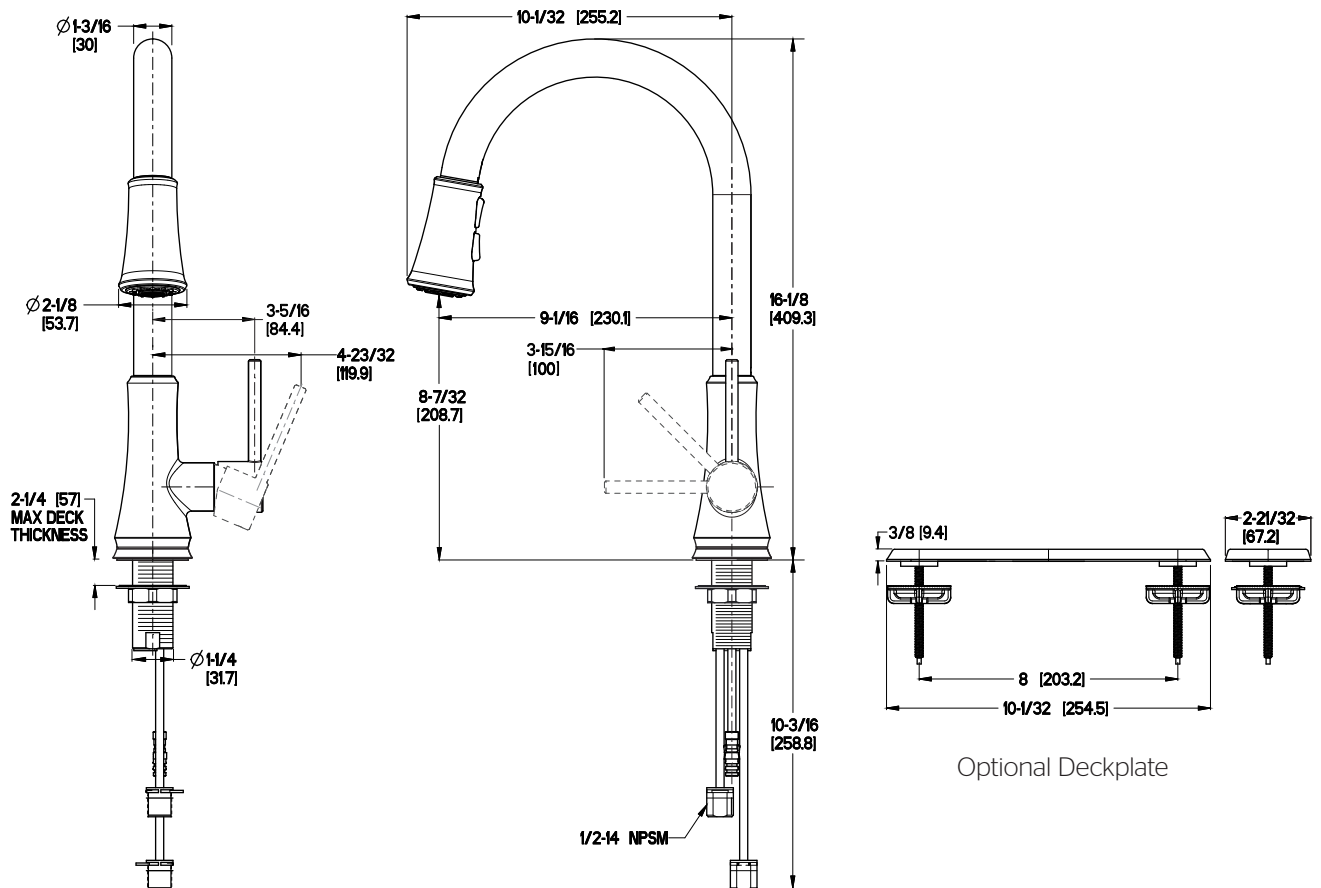


Pfister products are designed and manufactured in compliance with the following standards and codes:

- IAPMO Certified to ASME A112.18.1/CSA B125.1 including:
 - ASME A112.18.3 (Backflow Prevention)
- NSF/ANSI/CAN61:Q≤1
- CEC Certified/CALGreen compliant
- ADA Compliant - ANSI A117.1 (Lever Handle Only)



Dimensions



$\varnothing 1\text{-}3/8$ Min to $\varnothing 1\text{-}1/2$ Max. Deck Hole Openings