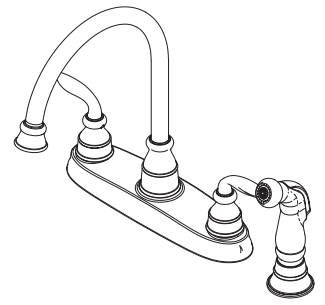


- GT36-4CBC Finish(C)
- GT36-4CBS Finish(S)
- GT36-4CBy Finish(Y)



Specifications

Features

- 1.8 GPM Flow Rate
- 4-Hole Installation
- Swivel Spout
- Coordinating Side Spray Matches Finish and Design of the Faucet
- Pforever Seal Ceramic™ Disc Valves
- Limited Lifetime Warranty

- 4-Hole Installation
- Pforever Seal

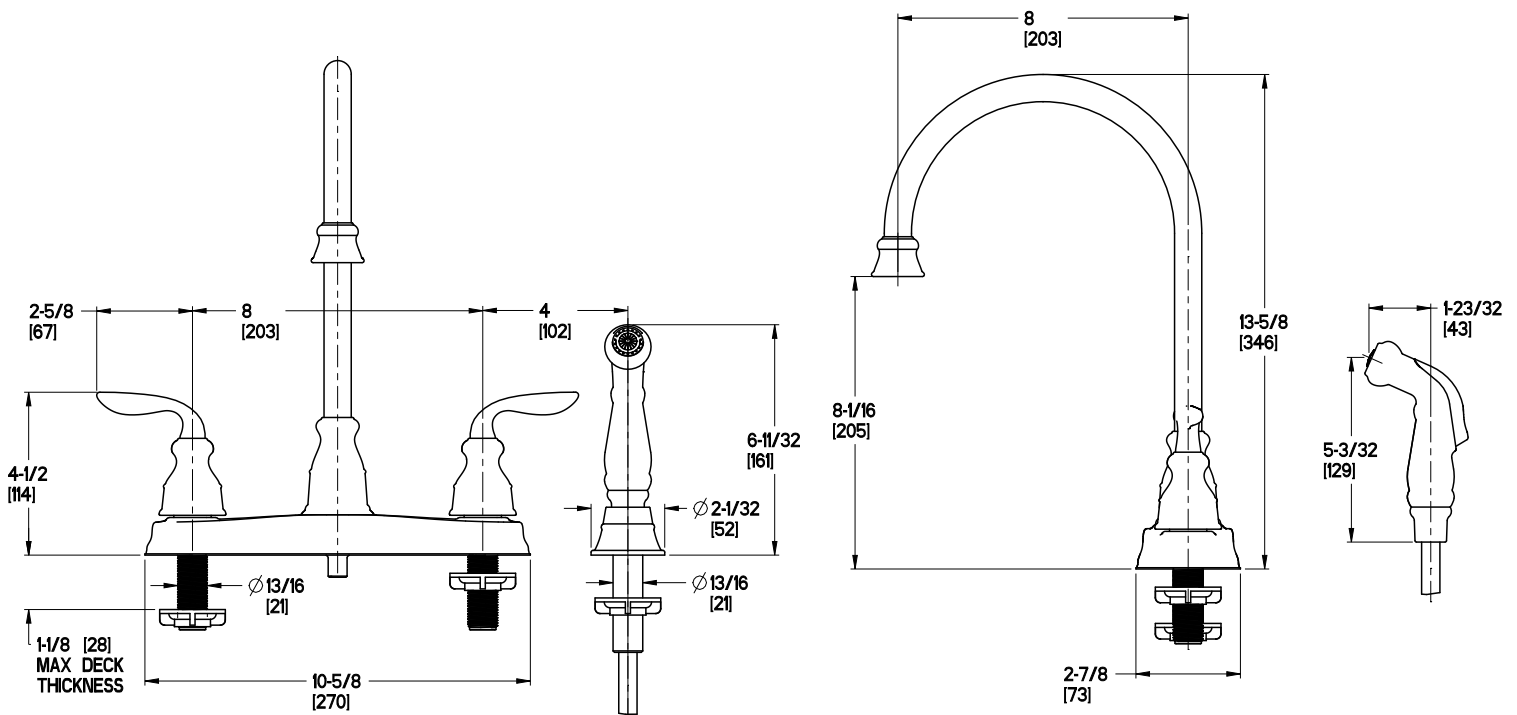
Code Compliance

Pfister products are designed and manufactured in compliance with the following standards and codes:

- IAPMO Certified to ASME A112.18.1/CSA B125.1 including:
 - ASME A112.18.3 (Backflow Prevention)
- NSF/ANSI/CAN61:Q≤1
- CEC Certified/CALGreen compliant
- ADA Compliant - ANSI A117.1 (Lever Handles Only)



Dimensions



ϕ 1-3/8 Min to ϕ 1-1/2 Max. Deck Hole Openings