

- GT49-CBOC Finish(C)
- GT49-CBOK Finish(K)
- GT49-CBOY Finish(Y)

- 3-Hole Installation
- Pforever Seal
- Complete Collection with Coordinating Roman Tub and Tub & Tub Shower Options

Specifications

Features

- 1.5 GPM Flow Rate
- Complete Collection with Coordinating Roman Tub and Tub & Shower Options
- Quick Connect Installation
- Metal Lever Handles
- Includes Metal Supply Nuts
- 3-Hole Installation
- 8"-15" Variable Installation
- Metal Pop-Up
- High Arc Spout
- Pforever Seal Ceramic Disc Valve
- Pforever Warranty®

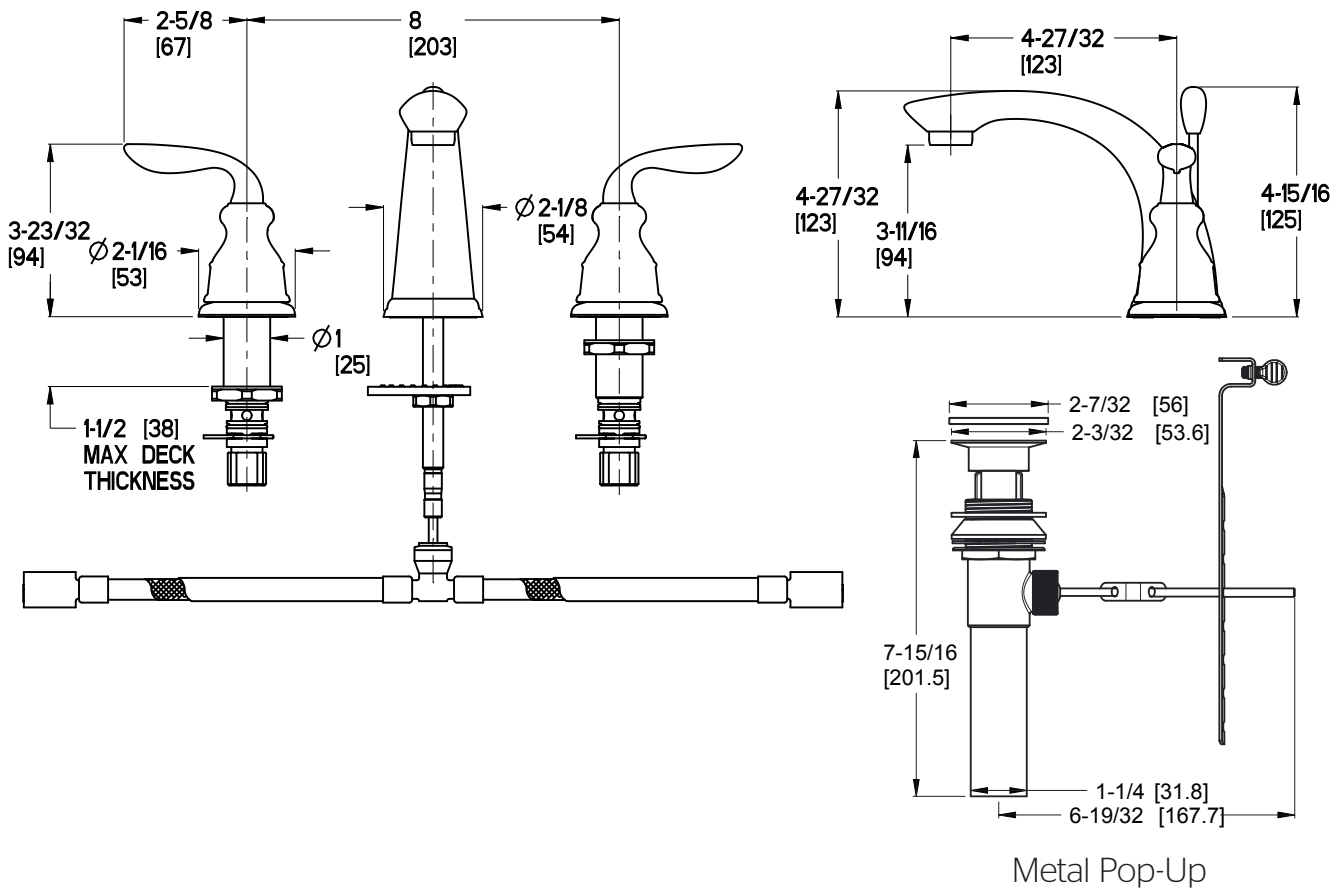
Code Compliance

Pfister products are designed and manufactured in compliance with the following standards and codes:

- IAPMO Certified
- CSA B125 Certified
- ASME A112.18.1
- NSF 61/9 Annex G (Low lead)
- Cal Green Compliant
- EPA WaterSense Certification 1.5 gpm, 5.7L/Min
- ADA Compliant-ANSI A117.1 (Lever handles only)



Dimensions



$\varnothing 1$ Min to $\varnothing 1-1/2$ Max. Deck Hole Openings