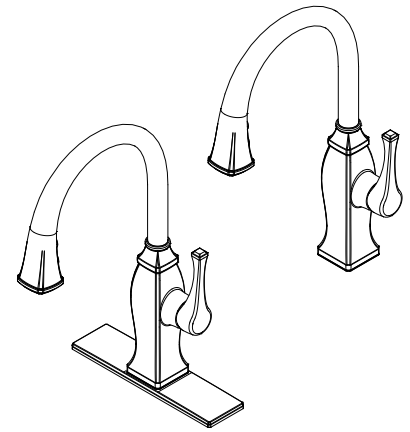


Briarsfield™

Pull-Down Kitchen Faucet

- GT529-BFC Finish(C)
- GT529-BFD Finish(D)
- GT529-BFS Finish(S)
- GT529-BFY Finish(Y)



- All Metal Construction
- 1 or 3-Hole Installation
- Pforever Seal

Specifications

Features

- 1.8 GPM Flow Rate
- 1 or 3-Hole Installation; Deck Plate or Single Hole Mounting Option
- All Metal Construction
- 3 Function Pull-Down Sprayer (Stream, Spray, and Pause)
- Soap/Lotion Dispenser Optional (Order KSD-BFx)
- Includes Deckplate
- Pforever Seal Ceramic Disc Valve
- Pforever Warranty®

Code Compliance

Pfister products are designed and manufactured in compliance with the following standards and codes:

- IAPMO Certified
- CSA B125 Certified
- ASME A112.18.1
- NSF 61/9 Annex G (Low lead)
- CEC Compliant
- CAL Green Compliant
- ASME A112.18.3 (Backflow Prevention)



Dimensions

