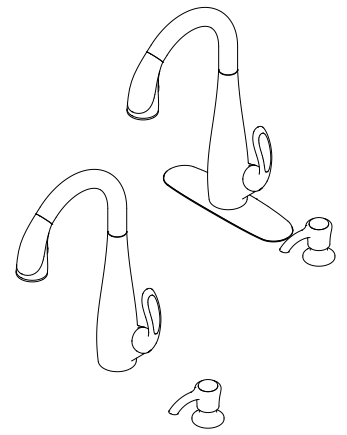


Pull Down Kitchen Faucet

GT529-NIC Finish(C)

GT529-NIS Finish(S)



- Lever Handle
- 1, 2, 3 or 4-Hole Installation
- Pforever Seal

Specifications

Features

- 1.8 GPM Flow Rate
- 1, 2, 3, or 4-Hole Installation; Deck Plate or Single Hole Mounting Option
- 3 Function Pull-Down Sprayer
- Soap/Lotion Dispenser Included
- Self Cleaning Spray Head
- Pforever Seal Ceramic Disc Valves
- Pforever Warranty®

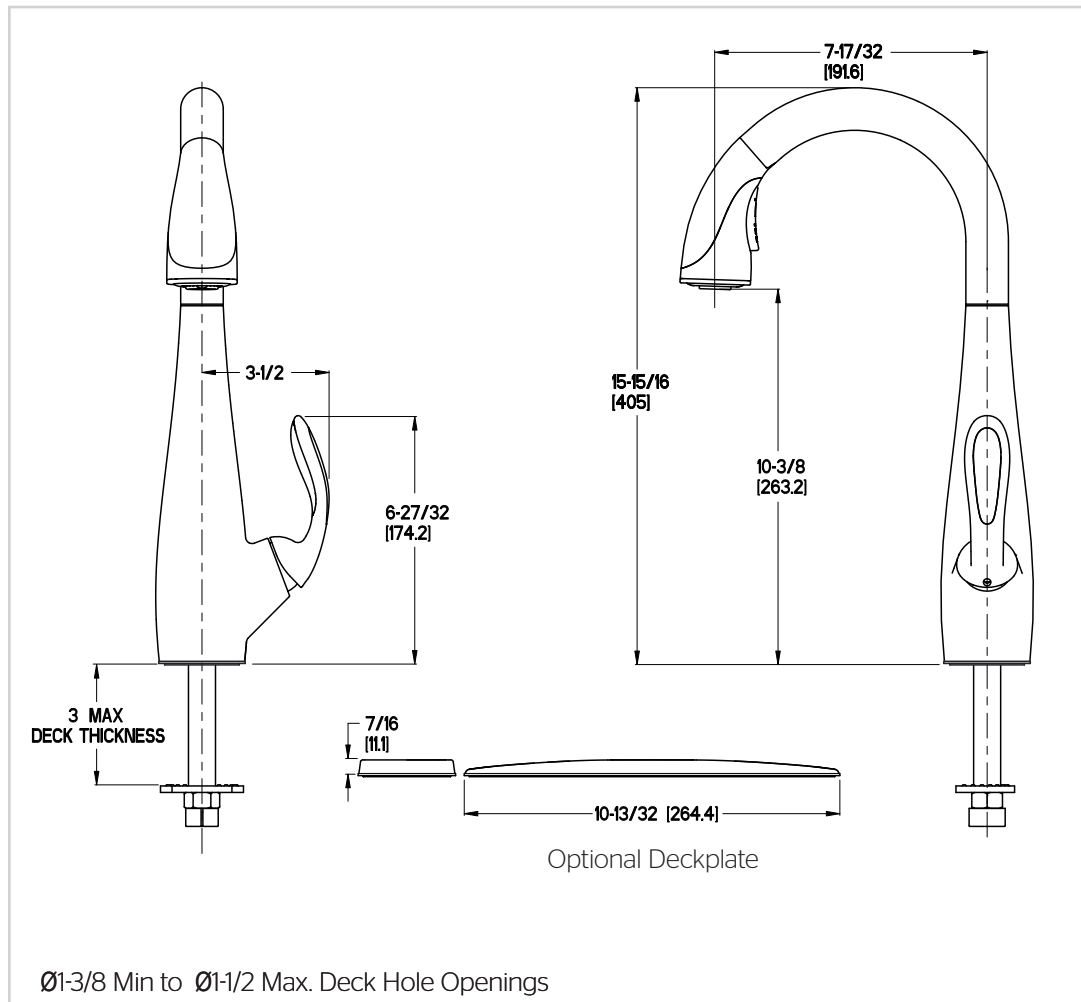
Code Compliance

Pfister products are designed and manufactured in compliance with the following standards and codes:

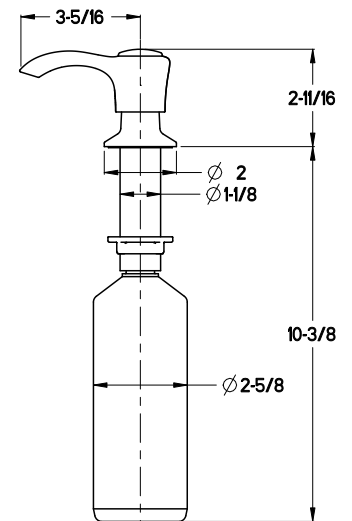
- IAPMO Certified
- CSA B125 Certified
- ASME A112.18.1
- NSF 61/9 Annex G (Low lead)
- Cal Green Compliant
- ADA Compliant-ANSI A117.1 (Lever handles only)



Dimensions



Top Filling Soap Dispenser



36 Inch Supply Lines with 3/8 Female Compression Brass Connections

