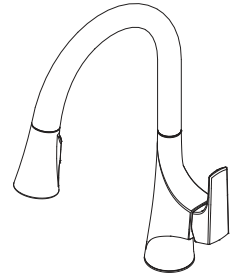


- GT529-NRB Finish(B)
- GT529-NRC Finish(C)
- GT529-NRS Finish(S)



## Specifications

### Features

- 1.8 GPM Flow Rate
- 13.5" Extended Hose Length
- Nylon Braided Hose
- 3 Function Pull-Down Sprayer (Spray, Stream, and Hydroblade™)
- Auto Align Magnetic Spray Head Docking
- 36 in Nylon Flex-Line Supply Lines
- Forward Handle Operation
- 360° Rotating Spout
- High Arc Spout
- Optional Soap Dispenser Available, Order KSD-SRD\* Separately
- Optional Deckplate Available, Order 961-168\* Separately
- Convert to LEED Requirements with Separate Insert: Low Flow Regulator 1.5 GPM (941-683) and 1.0 GPM (941-444)
- Pforever Seal™ Ceramic Disc Valve
- Limited Lifetime Warranty



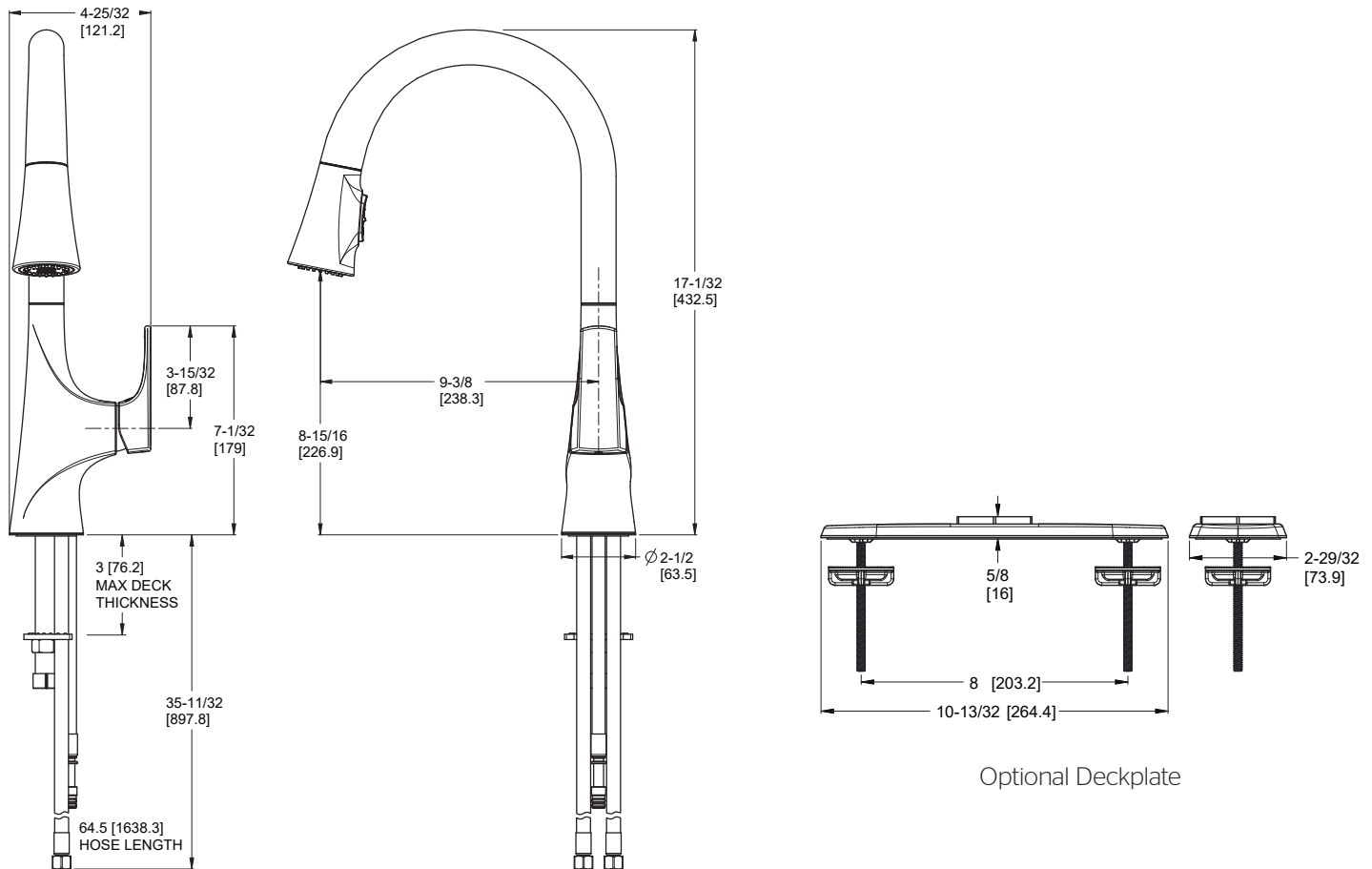
### Code Compliance

Pfister products are designed and manufactured in compliance with the following standards and codes:

- IAPMO Certified to ASME A112.18.1/CSA B125.1 including:
  - ASME A112.18.3 (Backflow Prevention)
- NSF/ANSI/CAN61:Q≤1
- CEC Certified/CALGreen compliant
- ADA Compliant - ANSI A117.1 (Lever Handles Only)



## Dimensions



Ø1-3/8 Min to Ø1-1/2 Max. Deck Hole Openings