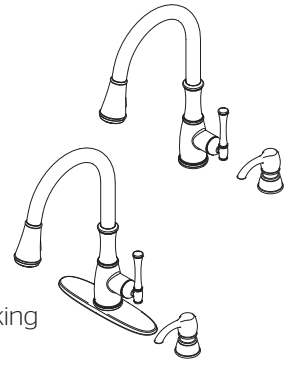


- GT529-WH1C Finish(C)
- GT529-WH1S Finish(S)
- GT529-WH1Y Finish(Y)



- AccuDock™ Sprayhead Docking
- Forward Handle Operation
- Pforever Seal™

Specifications

Features

- 1.8 GPM Flow Rate
- 1, 2, 3, or 4-Hole Installation; Deck Plate or Single Hole Mounting Option
- 2 Function Pull-Down Sprayer
- AccuDock™ Spray Head Docking
- 360° Rotating Spout
- Forward Handle Operation
- Mounting Hardware Included
- Nylon Flex-Line Supply Lines
- Soap Dispenser Included
- Pforever Seal™ Ceramic Disc Valve
- Limited Lifetime Warranty



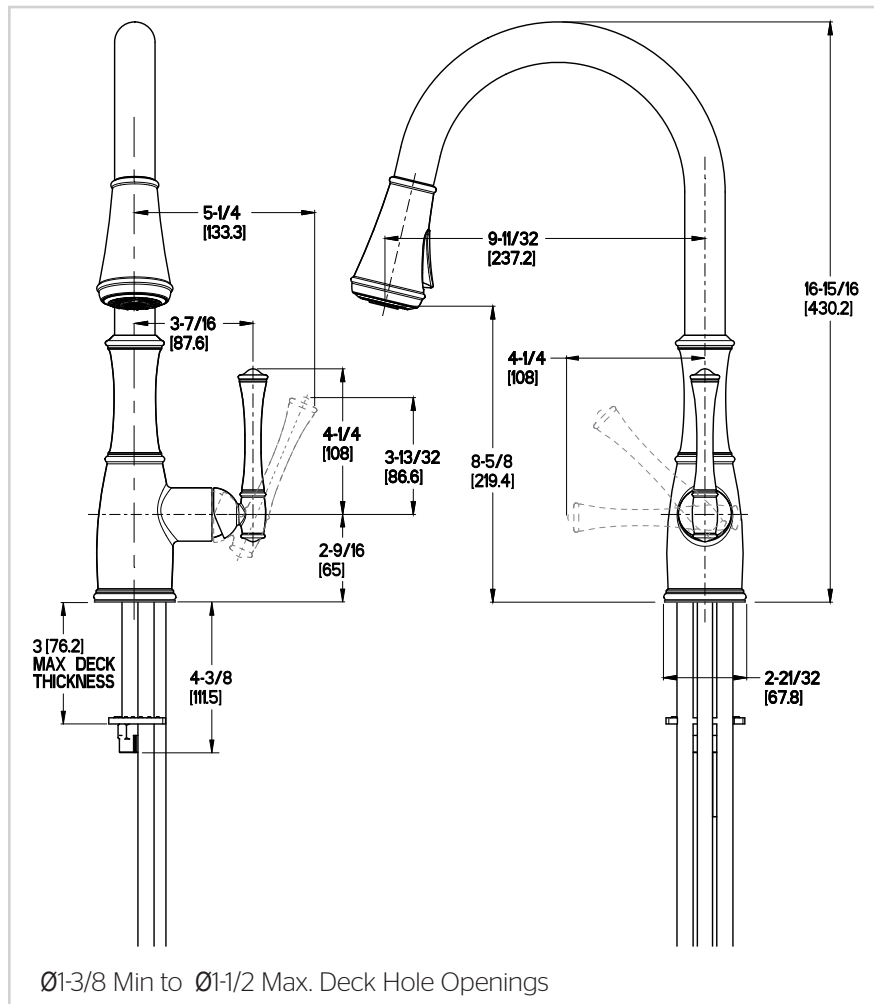
Code Compliance

Pfister products are designed and manufactured in compliance with the following standards and codes:

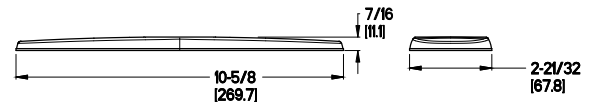
- IAPMO Certified to ASME A112.18.1/CSA B125.1 including:
 - ASME A112.18.3 (Backflow Prevention)
- NSF/ANSI/CAN61:Q≤1
- CEC Certified/CALGreen compliant
- ADA Compliant - ANSI A117.1 (Lever Handle Only)



Dimensions



Optional Deckplate



Top Filling Soap Dispenser

