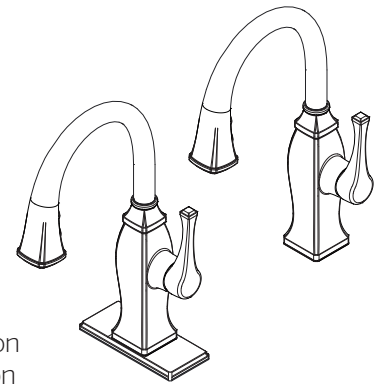


## Briarsfield™

### Pull Down Bar & Prep Faucet

- GT572-BFC Finish(C)
- GT572-BFD Finish(D)
- GT572-BFS Finish(S)
- GT572-BFY Finish(Y)



- All Metal Construction
- 1 or 3-Hole Installation
- Pforever Seal™

## Specifications

### Features

- 1.8 GPM Flow Rate
- 1 or 3-Hole Installation; Deck Plate or Single Hole Mounting Option
- All Metal Construction
- 3 Function Pull-Down Sprayer
- Soap/Lotion Dispenser Optional (Order KSD-BFx)
- Optional Deckplate
- Pforever Seal™ Ceramic Disc Valve
- Limited Lifetime Warranty



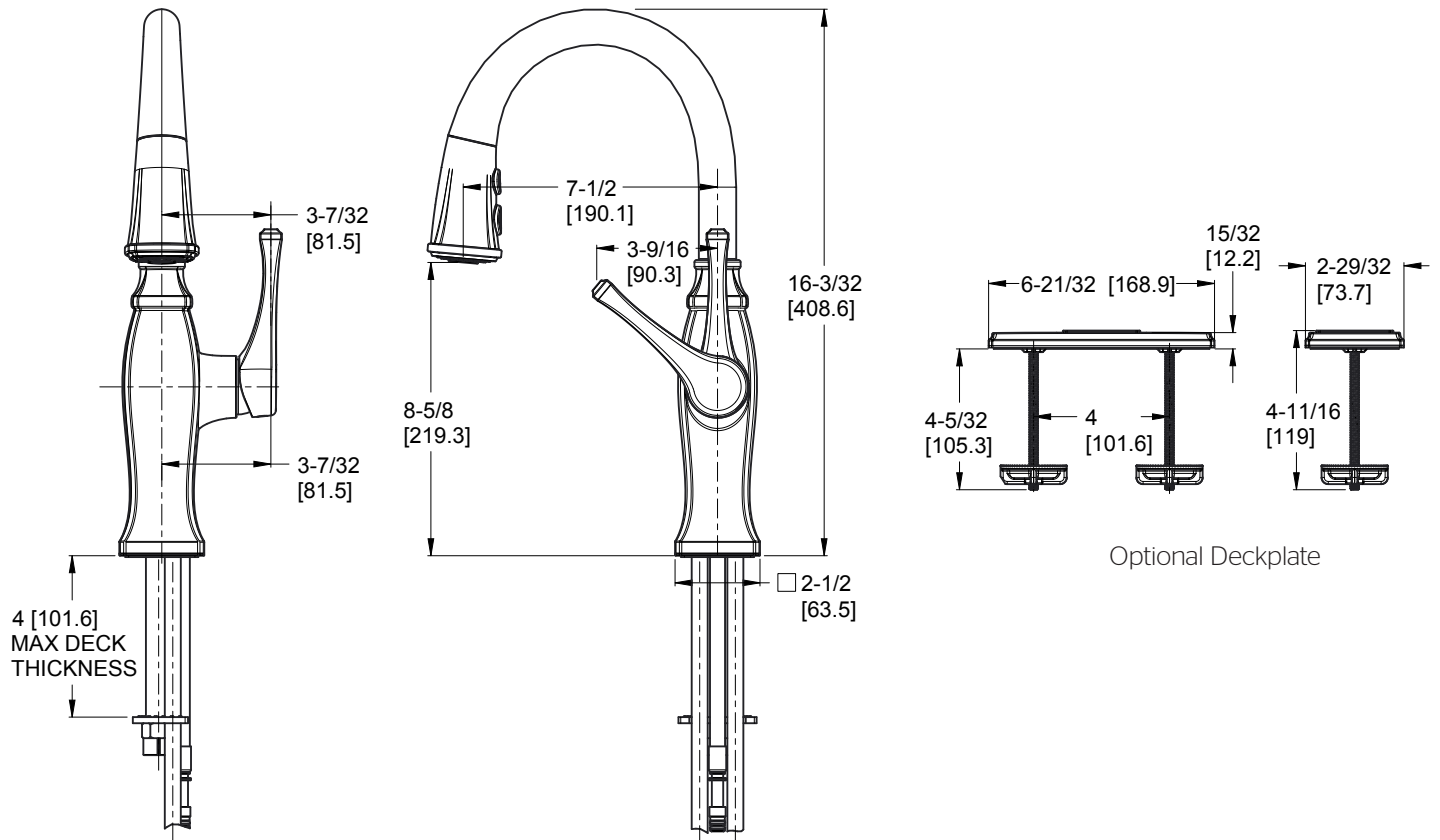
### Code Compliance

Pfister products are designed and manufactured in compliance with the following standards and codes:

- IAPMO Certified to ASME A112.18.1/CSA B125.1 including:
  - ASME A112.18.3 (Backflow Prevention)
- NSF/ANSI/CAN61:Q≤1
- CEC Certified/CALGreen compliant
- ADA Compliant - ANSI A117.1 (Lever Handle Only)



## Dimensions



Ø1-3/8 Min to Ø1-1/2 Max. Deck Hole Openings