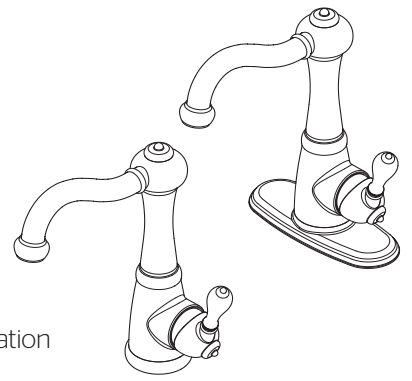


## Marielle™ Bar & Prep Faucet

- GT72-M1CC Finish(CC)
- GT72-M1SS Finish(SS)
- GT72-M1UU Finish(UU)
- GT72-M1YY Finish(YY)



- 1 or 3-Hole Installation
- Pforever Seal
- Flexible Braided Stainless Steel Supply Lines

## Specifications

### Features

- 1.8 GPM Flow Rate
- Solid Brass Construction
- 1 or 3-Hole Installation; Deck Plate or Single Hole Mounting Option
- 360° Swivel Spout
- Decorative Arc Spout
- Pforever Seal™ Ceramic Disc Valve
- Limited Lifetime Warranty

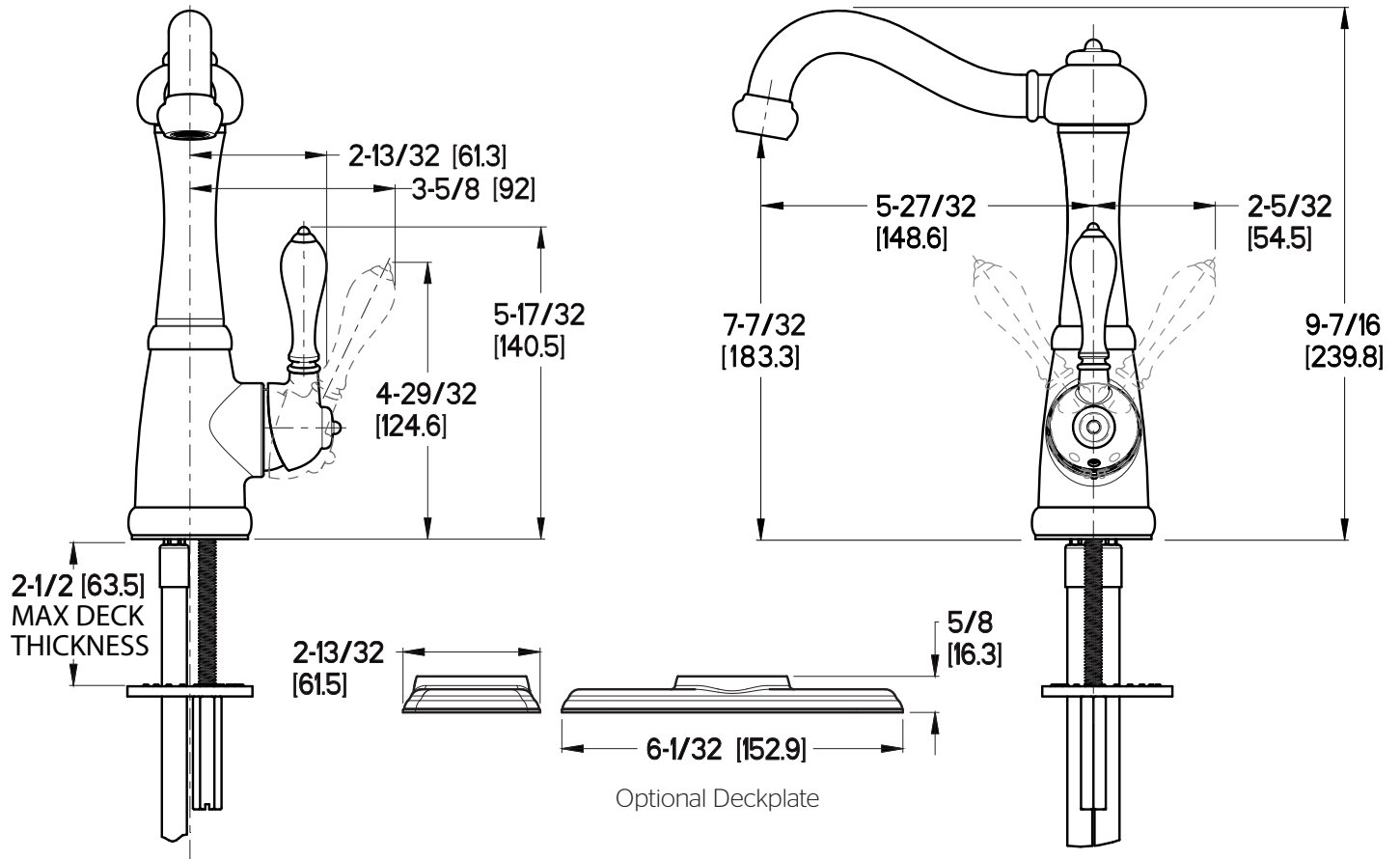
### Code Compliance

Pfister products are designed and manufactured in compliance with the following standards and codes:

- IAPMO Certified to ASME A112.18.1/CSA B125.1 including:
  - ASME A112.18.3 (Backflow Prevention)
- NSF/ANSI/CAN61:Q≤1
- CEC Certified/CALGreen compliant
- ADA Compliant - ANSI A117.1 (Lever Handle Only)



## Dimensions



Ø1-3/8 Min to Ø1-1/2 Max. Deck Hole Openings