

- GT72-TNTBG Finish(BG)
- GT72-TNTC Finish(C)
- GT72-TNTD Finish(D)
- GT72-TNTGS Finish(GS)
- GT72-TNTSDB Finish(SDB)

Specifications

Features

- 1.8 GPM Flow Rate
- Forward Handle Operation
- 360° Rotating Spout
- Nylon Flex Supply Lines
- 3/8" Connections
- Spot Defense™ Finish Resists Spots and Fingerprints (GS & SDB Only)
- Ultra Seal™ Ceramic Disc Valve
- Limited Lifetime Warranty

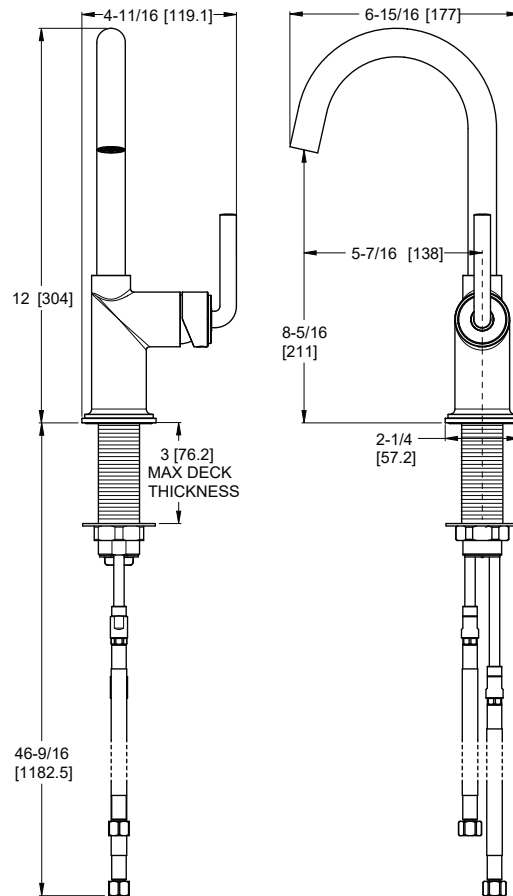
Code Compliance

Pfister products are designed and manufactured in compliance with the following standards and codes:

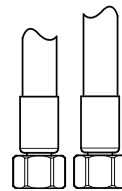
- IAPMO Certified to ASME A112.18.1/CSA B125.1
- NSF/ANSI/CAN61:Q≤1
- CEC Certified/CALGreen compliant
- ADA Compliant - ANSI A117.1 (Lever Handle Only)



Dimensions



36 Inch Supply Lines with
3/8 Female Compression
Brass Connections



Ø1-3/8 Min to Ø1-1/2 Max. Deck Hole Openings