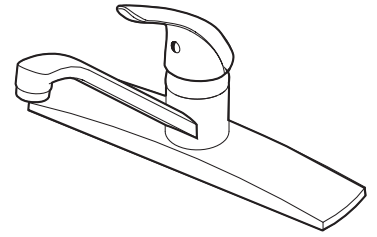


Pfirst Series™ Single Control Kitchen Faucet

J134-144C Finish(C)

J134-144S Finish(S)



Specifications

- Single Control
- 3-Hole Installation
- Stainless Steel Ball Valve

Features

- Job Pack Contains 12 Kitchen Faucets
- 1.8 GPM Flow Rate
- 1.5 GPM Aerator Available (Order 941-372 Separately)
- 3-Hole Installation
- Stainless Steel Ball Valve
- Swivel Spout
- 10 Year Commercial Warranty

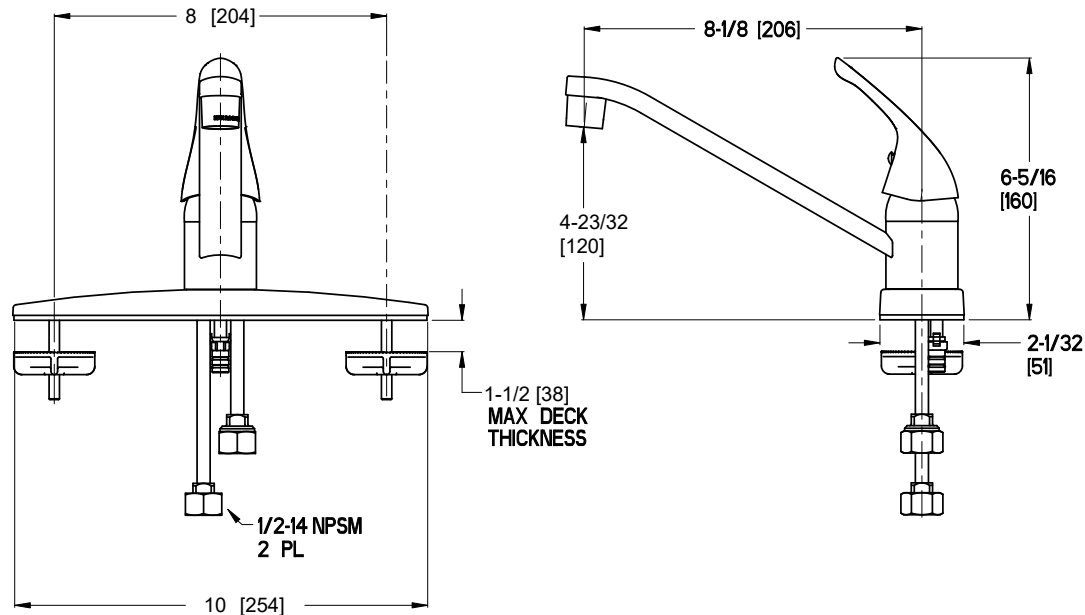
Code Compliance

Pfister products are designed and manufactured in compliance with the following standards and codes:

- IAPMO Certified to ASME A112.18.1/CSA B125.1
- NSF/ANSI/CAN61:Q≤1
- CEC Certified/CALGreen compliant
- ADA Compliant - ANSI A117.1 (Lever Handle Only)



Dimensions



Ø1-3/8 Min to Ø1-1/2 Max. Deck Hole Openings