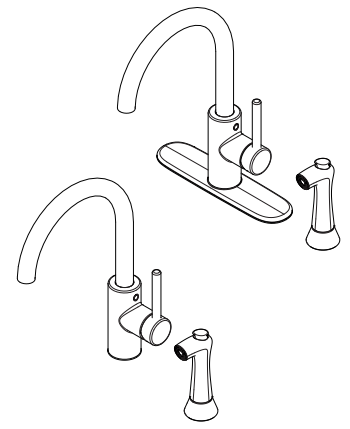


Single Control Kitchen Faucet

LF-029-4SLC Finish(C)

LF-029-4SLS Finish(S)



Specifications

Features

- 1.8 GPM Flow Rate
- 360° Rotating Spout
- High Arc Spout
- Matching Deckplate Included
- Mounting Hardware Included
- Optional Side Spray Included
- Side Spray Plug Included
- PVD Finish (S Finish Only)
- Pfast Connect™ Supply Lines
- Pforever Seal™ Ceramic Disc Valve
- Pforever Warranty®

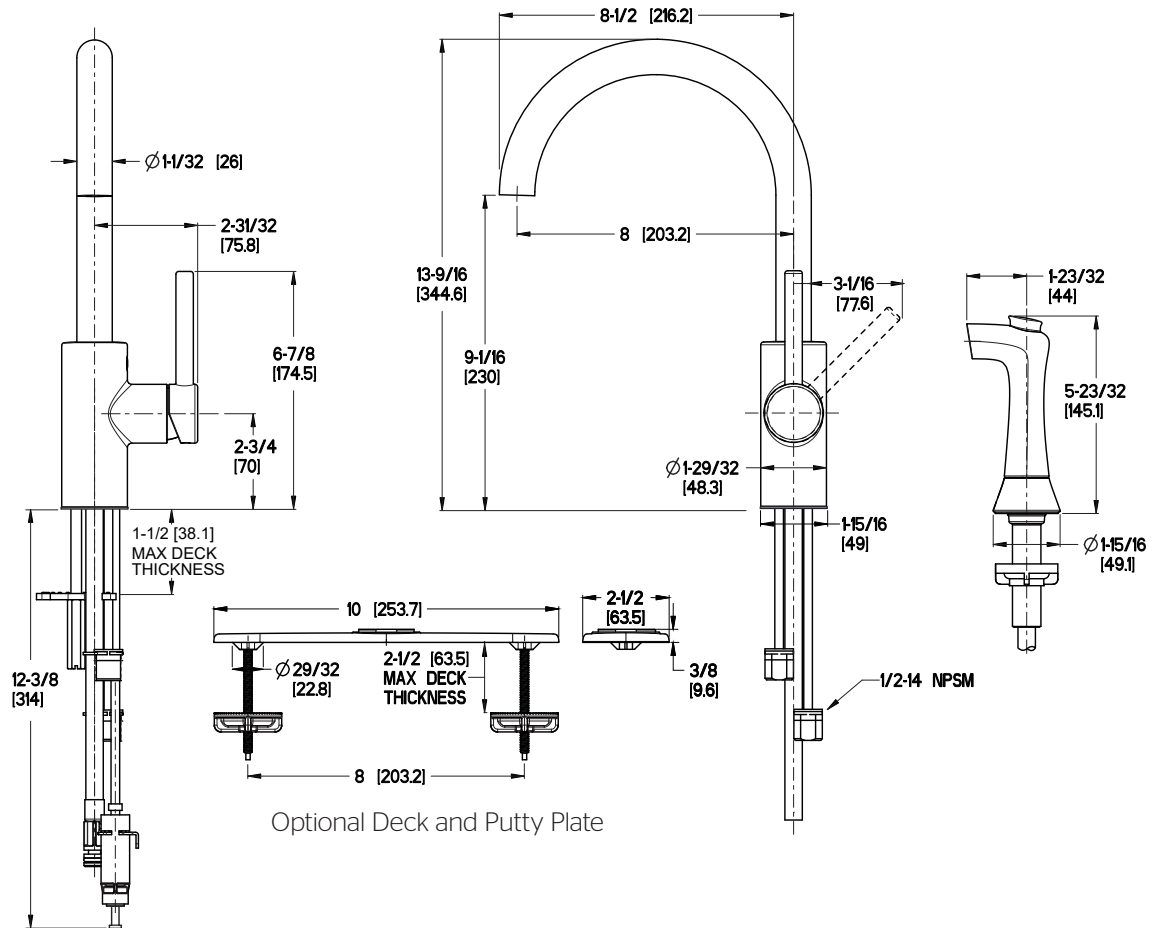
Code Compliance

Pfister products are designed and manufactured in compliance with the following standards and codes:

- IAPMO Certified to ASME A112.18.1/CSA B125
- Certified to NSF 61/9 Annex G (Low lead)
- CALGreen Compliant
- CEC Compliant
- ADA Compliant-ANSI A117.1 (Lever handles only)
- ASME A112.18.3 (Backflow Prevention)



Dimensions



Optional Deck and Putty Plate

Ø1-3/8 Min to Ø1-1/2 Max. Deck Hole Openings