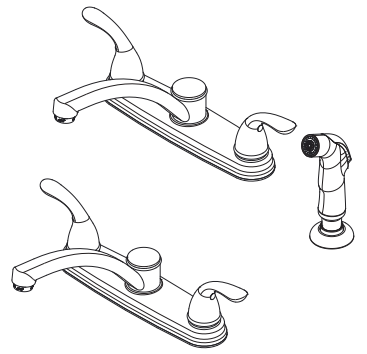


Two Handle Kitchen Faucet

- LF-035-3THC Finish(C)
- LF-035-3THS Finish(S)
- LF-035-4THC Finish(C)
- LF-035-4THS Finish(S)



- Single Control
- 3 or 4-Hole Installation
- Pforever Seal

Specifications

Features

- 1.8 GPM Flow Rate
- 3 or 4-Hole Installation
- Swivel Spout
- Includes Matching Side Spray (4TH Only)
- Mounting Hardware Included
- Washerless Cartridges
- Limited Lifetime Warranty

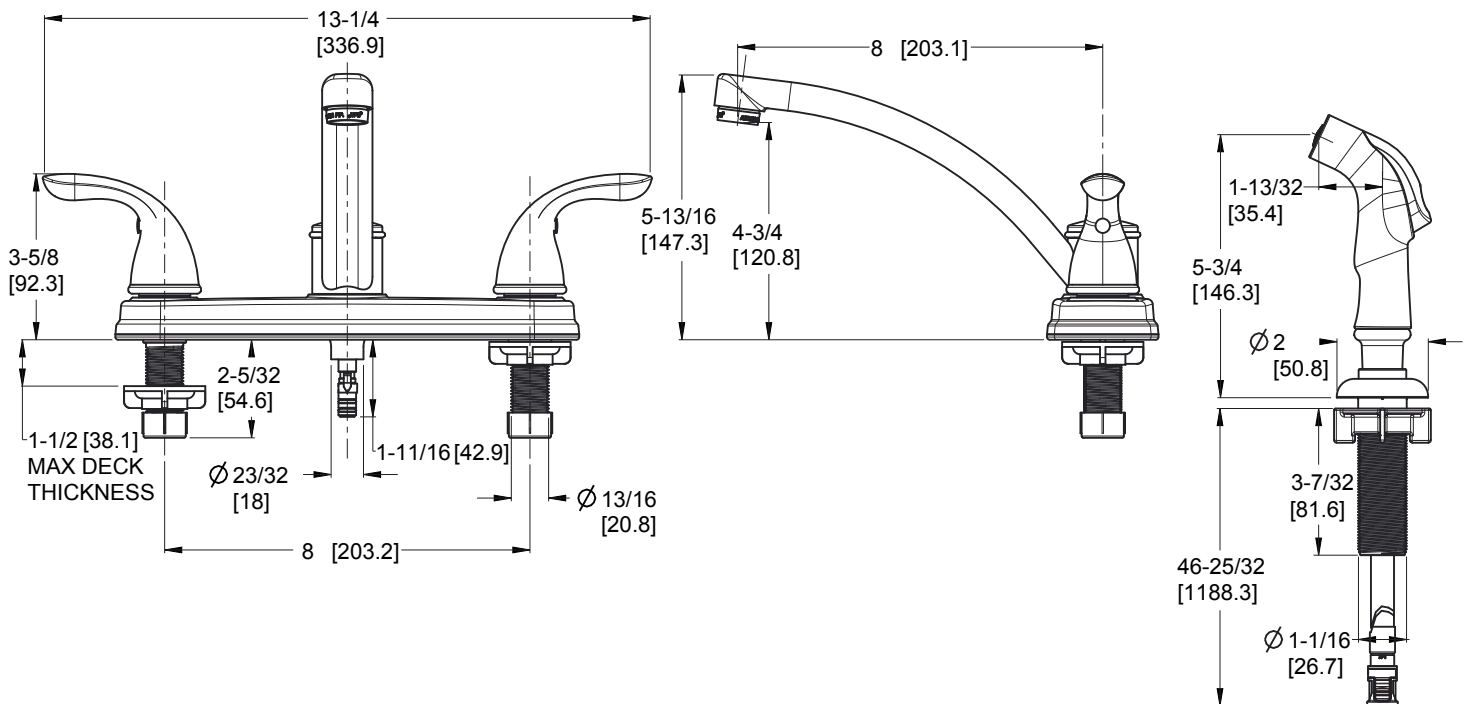
Code Compliance

Pfister products are designed and manufactured in compliance with the following standards and codes:

- IAPMO Certified to ASME A112.18.1/CSA B125.1 including:
 - ASME A112.18.3 (Backflow Prevention)
- NSF/ANSI/CAN61:Q≤1
- CEC Certified/CALGreen compliant
- ADA Compliant - ANSI A117.1 (Lever Handles Only)



Dimensions



Ø1-3/8 Min to Ø1-1/2 Max. Deck Hole Openings