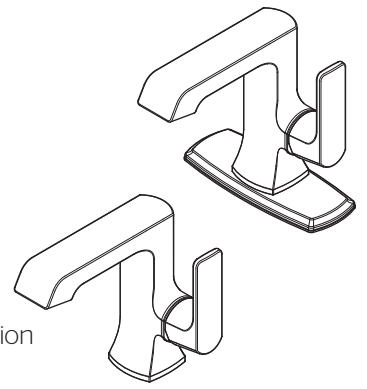


Single Control Lavatory Faucet

- LF-042-1PEB Finish(B)
- LF-042-1PEC Finish(C)
- LF-042-1PEGS Finish(GS)



- 1 or 3-Hole Installation
- Pforever Seal™
- Push & Seal™ Pop-Up

Specifications

Features

- 1.2 GPM Flow Rate
- All Metal Construction
- Spot Defense Finish Resists Spots and Fingerprints (GS Finish Only)
- 1 or 3-Hole Installation; Single Hole or Optional Deckplate Mounting Option
- High Arc Spout
- Mounting Hardware Included
- Forward Handle Operation
- Push & Seal™ Pop-Up
- Pfast Connect™ Supply Lines
- TiteSeal™ Deckplate
- Pforever Seal™ Ceramic Disc Valve
- Limited Lifetime Warranty



Code Compliance

Pfister products are designed and manufactured in compliance with the following standards and codes:

- IAPMO Certified to ASME A112.18.1/CSA B125.1
- EPA WaterSense Certified
- NSF/ANSI/CAN61:Q≤1
- CEC Certified/CALGreen compliant
- ADA Compliant - ANSI A117.1 (Lever Handle Only)



Dimensions

