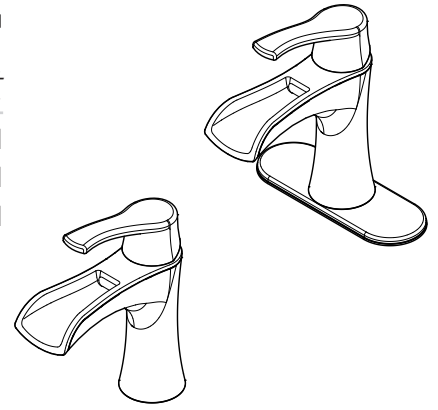


- LF-042-ATCC Finish(CC)
- LF-042-ATKK Finish(KK)
- LF-042-ATYY Finish(YY)



- 1 or 3-Hole Installation
- Pforever Seal
- Push & Seal™ Pop-Up

Specifications

Features

- 1.2 GPM Flow Rate
- 1 or 3-Hole Installation; Deck Plate or Single Hole Mounting Option
- All Metal Construction
- Pfast Connect™
- Mounting Hardware Included
- PVD Finish (KK Finish Only)
- Push & Seal™ Pop-Up
- TiteSeal™ Deckplate
- Pforever Seal Ceramic Disc Valve
- Pforever Warranty®

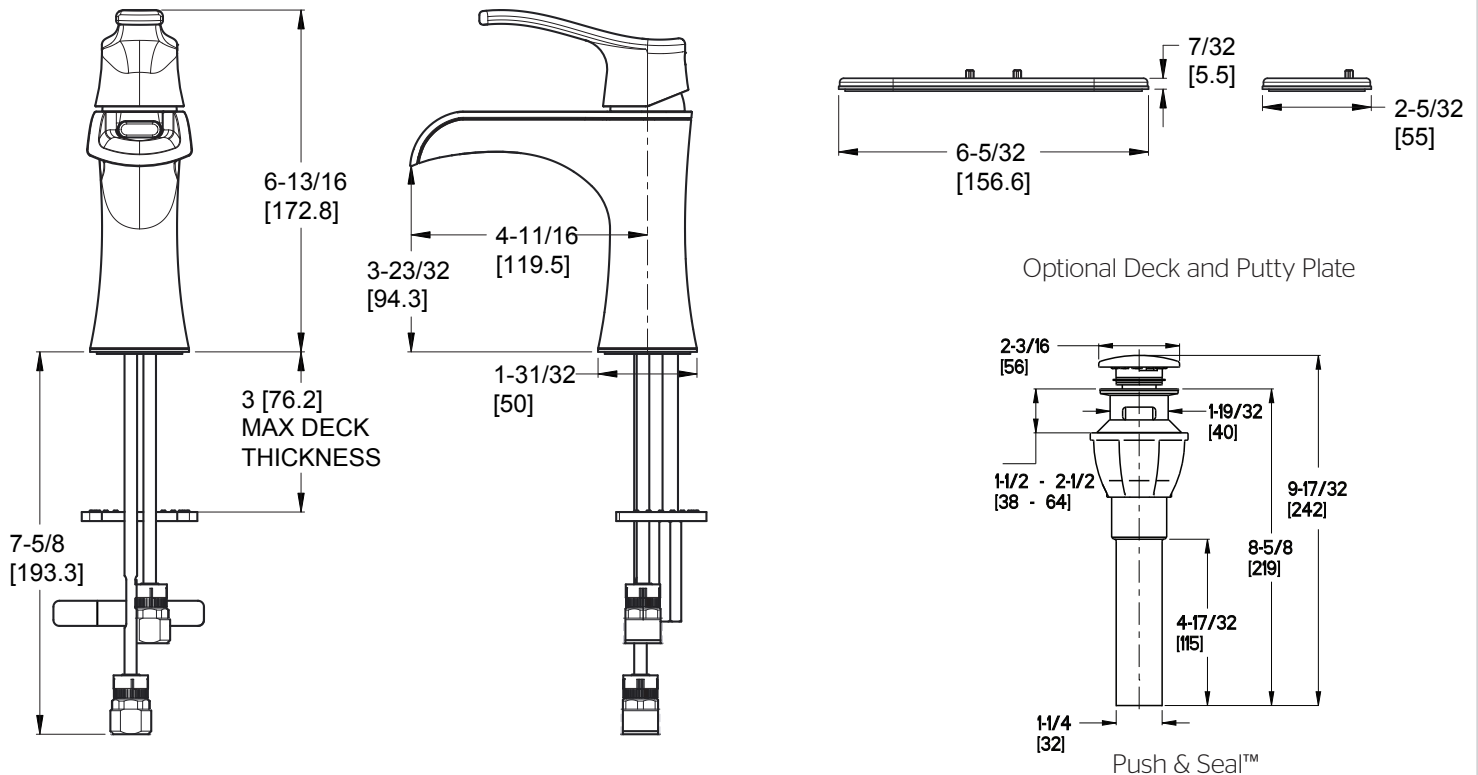
Code Compliance

Pfister products are designed and manufactured in compliance with the following standards and codes:

- IAPMO Certified
- CSA B125 Certified
- ASME A112.18.1
- Cal Green Compliant
- CEC Compliant
- NSF 61/9 Annex G (Low lead)
- EPA WaterSense Certification 1.2 gpm, 4.5 L/Min
- ADA Compliant-ANSI A117.1 (Lever handles only)



Dimensions



Ø1 Min to Ø1-1/2 Max. Deck Hole Openings