

Specifications

Features

- 1.2 GPM Flow Rate
- 1 or 3-Hole Installation; Deck Plate or Single Hole Mounting Option
- Mounting Hardware Included
- TiteSeal™ Deckplate
- Push & Seal™ Pop-Up
- Pforever Seal™ Ceramic Disc Valve
- Limited Lifetime Warranty

- 1 or 3-Hole Installation
- Pforever Seal
- Push & Seal™ Pop-Up



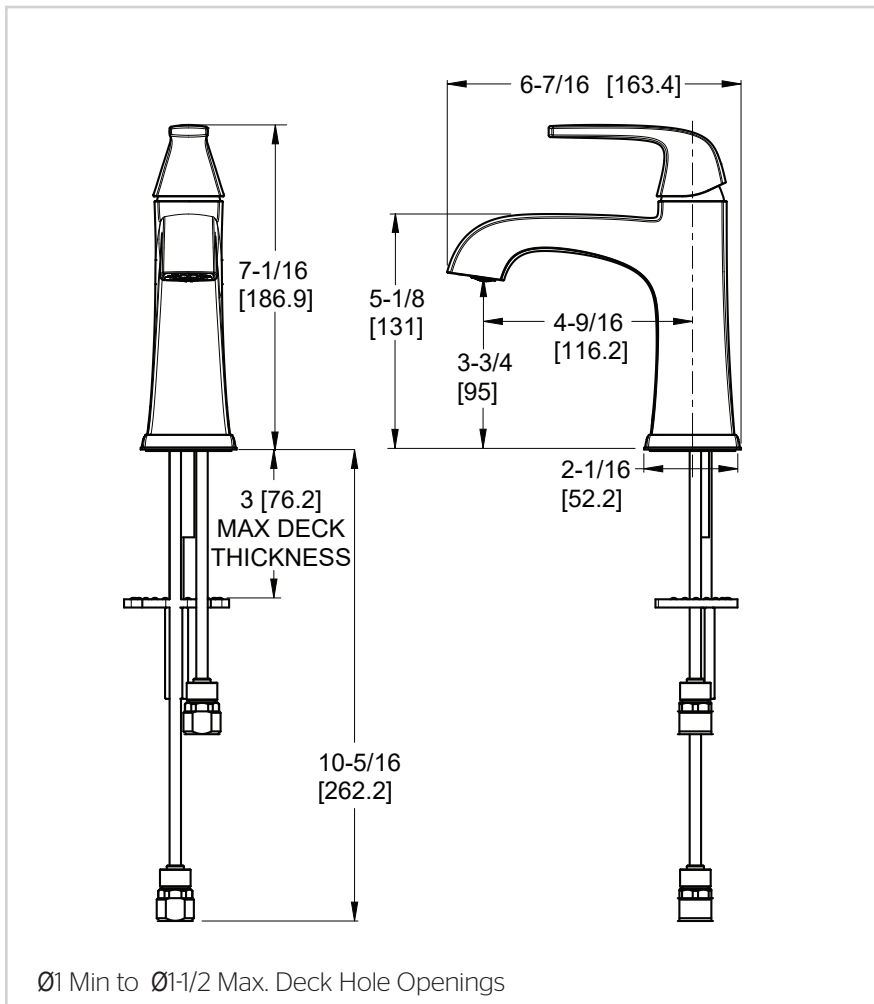
Code Compliance

Pfister products are designed and manufactured in compliance with the following standards and codes:

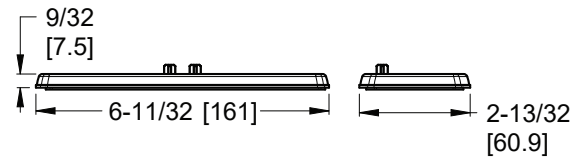
- IAPMO Certified to ASME A112.18.1/CSA B125.1
- EPA WaterSense Certified
- NSF/ANSI/CAN61:Q≤1
- CEC Certified/CALGreen compliant
- ADA Compliant - ANSI A117.1 (Lever Handles Only)



Dimensions



Optional Deck and Putty Plate



Push & Seal™

