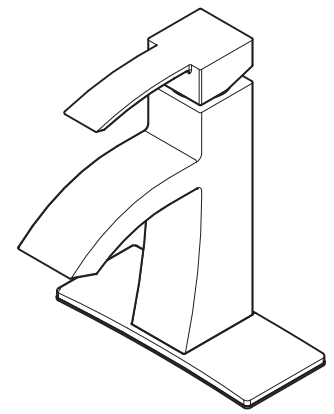


LF-042-BNCC Finish(CC)

LF-042-BNKK Finish(KK)



## Specifications

### Features

- 1.2 GPM Flow Rate
- All Metal Construction
- 1 or 3-Hole Installation; Deck Plate or Single Hole Mounting Option
- Push & Seal™ Pop-Up
- Pforever Seal™ Ceramic Disc Valve
- Limited Lifetime Warranty



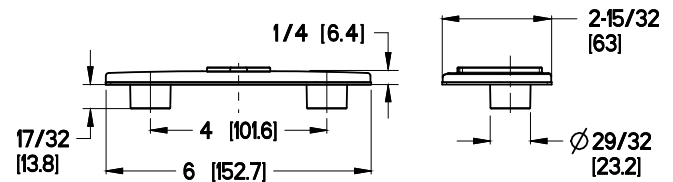
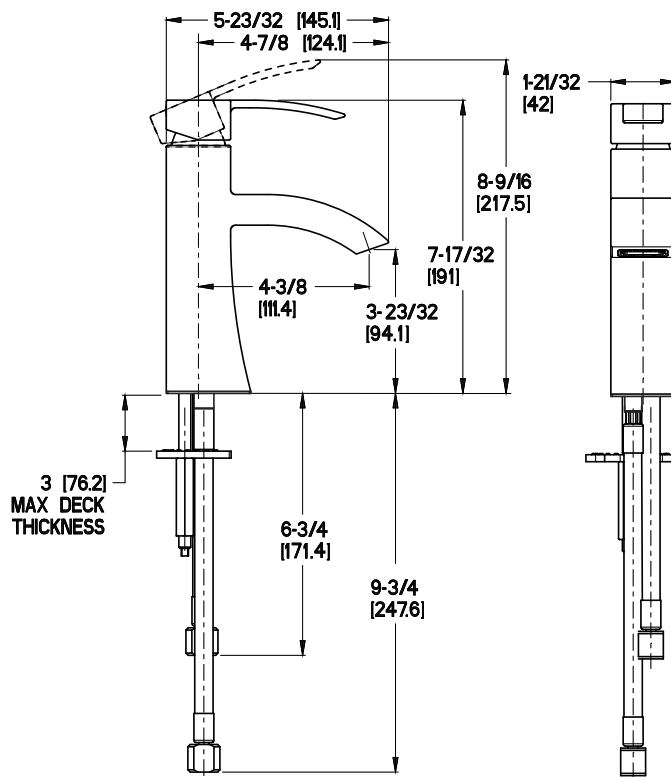
### Code Compliance

Pfister products are designed and manufactured in compliance with the following standards and codes:

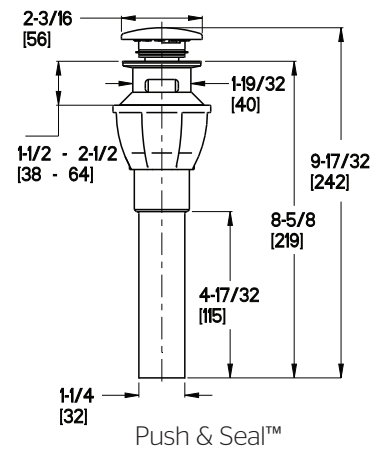
- IAPMO Certified to ASME A112.18.1/CSA B125.1
- NSF/ANSI/CAN61:Q≤1
- EPA WaterSense Certified
- CEC Certified/CALGreen compliant
- ADA Compliant - ANSI A117.1 (Lever Handles Only)



## Dimensions



Optional Deck and Putty Plate



Push & Seal™

Ø1 Min to Ø1-1/2 Max. Deck Hole Openings