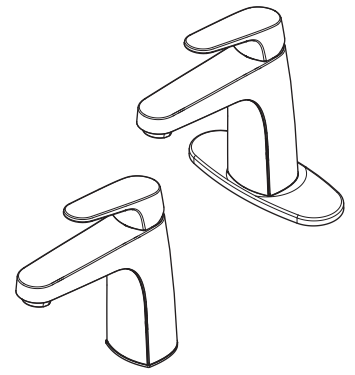


LF-042-MLCB Finish(B)

LF-042-MLCC Finish(C)



Specifications

Features

- 1.2 GPM Flow Rate
- 1 or 3-Hole Installation
- Optional Deckplate Included
- Push & Seal™ Drain Included
- Mounting Hardware Included
- Pfaster Connect™ Supply Lines
- TiteSeal™ Deckplate
- Pforever Seal Ceramic Disc Valve
- Limited Lifetime Warranty



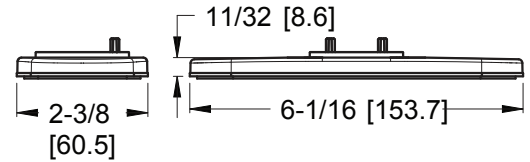
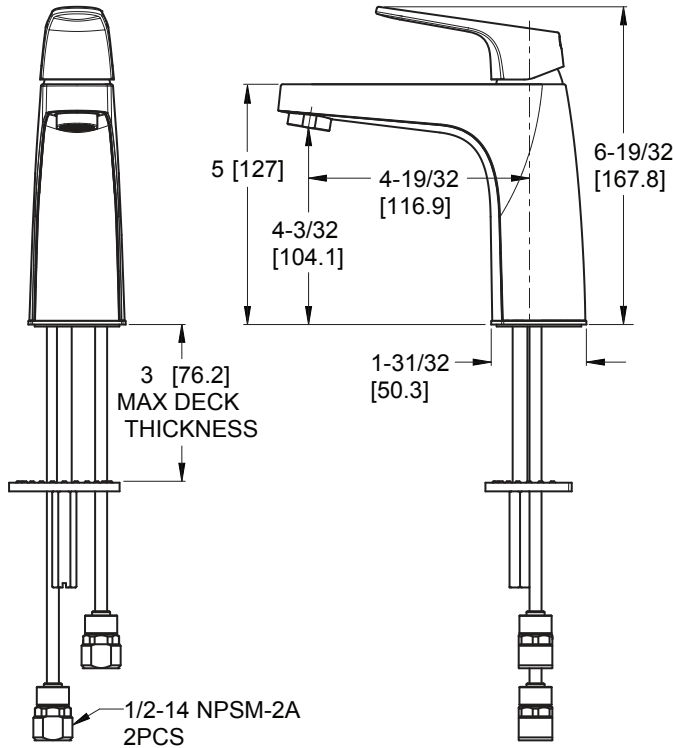
Code Compliance

Pfister products are designed and manufactured in compliance with the following standards and codes:

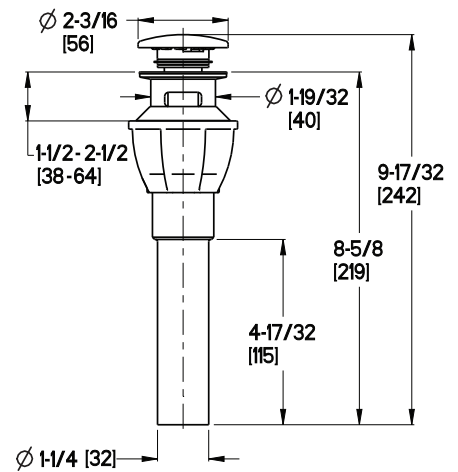
- IAPMO Certified to ASME A112.18.1/CSA B125.1
- EPA WaterSense Certified
- NSF/ANSI/CAN61:Q≤1
- CEC Certified/CALGreen compliant
- ADA Compliant - ANSI A117.1 (Lever Handle Only)



Dimensions



Optional Deckplate



Push & Seal™ Drain

Ø1 Min to Ø1-1/2 Max. Deck Hole Openings