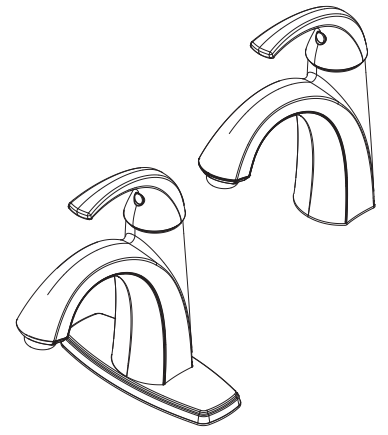


- LF-042-SLCC Finish(CC)
- LF-042-SLKK Finish(KK)
- LF-042-SLYY Finish(Y)



Specifications

Features

- 1.2 GPM Flow Rate
- 1 or 3-Hole Installation; Deck Plate or Single Hole Mounting Option
- Pforever Seal™ Ceramic Disc Valve
- Push & Seal™ Pop-Up
- Limited Lifetime Warranty



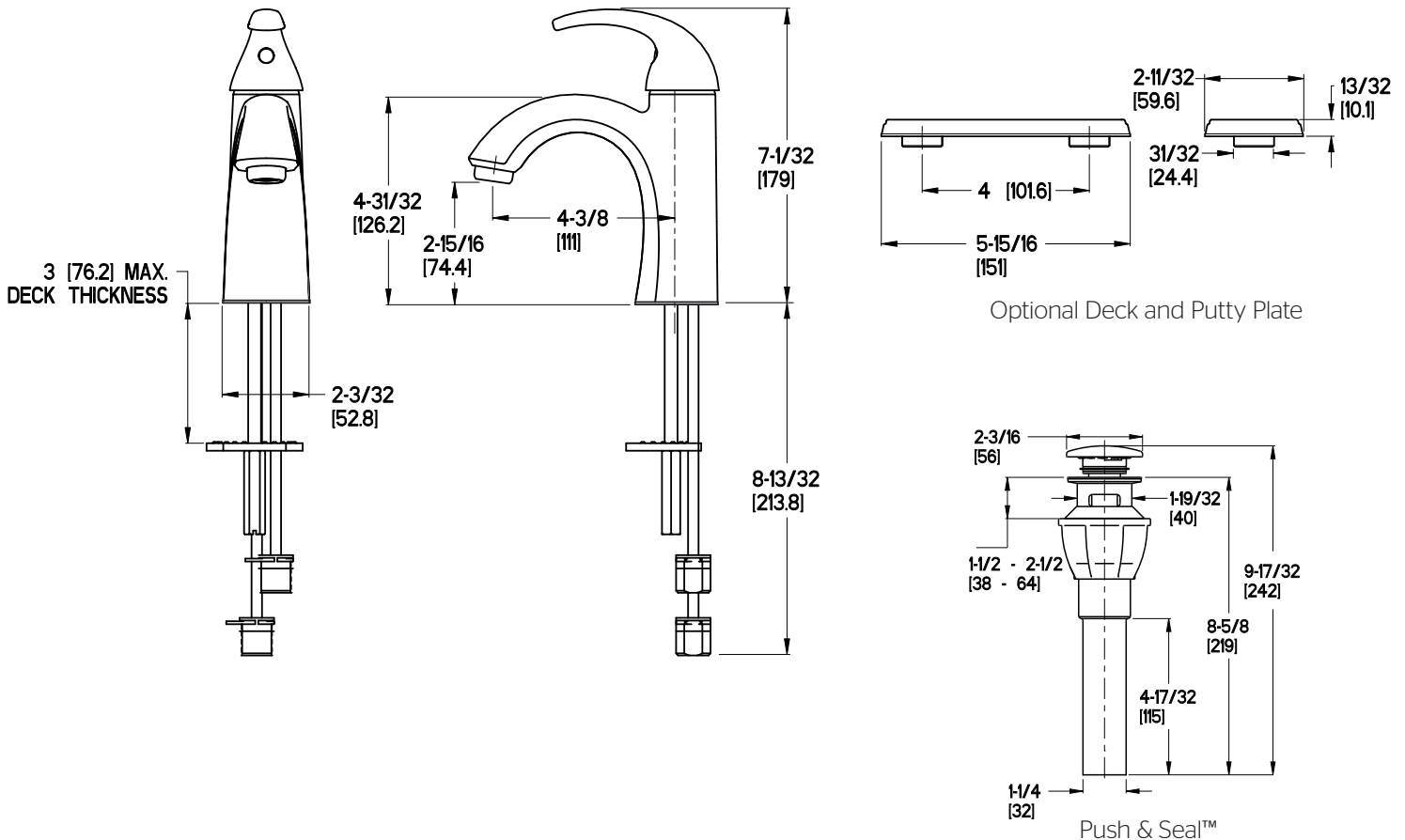
Code Compliance

Pfister products are designed and manufactured in compliance with the following standards and codes:

- IAPMO Certified to ASME A112.18.1/CSA B125.1
- EPA WaterSense Certified
- NSF/ANSI/CAN61:Q≤1
- CEC Certified/CALGreen compliant
- ADA Compliant - ANSI A117.1 (Lever Handle Only)



Dimensions



Ø1 Min to Ø1-1/2 Max. Deck Hole Openings