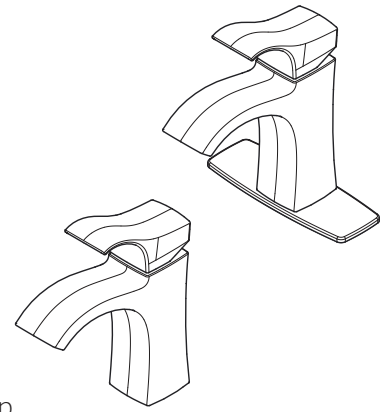


### Single Control Lavatory Faucet

- LF-042-VNBB Finish(BB)  LF-042-VNCC Finish(CC)   
 LF-042-VNBBG Finish(BG)  LF-042-VNGS Finish(GS)   
 LF-042-VNKK Finish(KK)



- Ribbon Water Flow
- Pforever Seal™
- Push & Seal™ Pop-Up

## Specifications

### Features

- 1.2 GPM Flow Rate
- 1 or 3-Hole Installation; Deck Plate or Single Hole Mounting Option
- Unique Ribbon Water Flow Pattern
- All Metal Construction
- Mounting Hardware Included
- Pfaster Connect Supply Lines
- PVD Finish (KK Finish Only)
- Spot Defense™ Finish Resists Spots and Fingerprints (GS Finish Only)
- Push & Seal™ Pop-Up
- TiteSeal™ Deckplate
- Pforever Seal™ Ceramic Disc Valve
- Limited Lifetime Warranty



### Code Compliance

Pfister products are designed and manufactured in compliance with the following standards and codes:

- IAPMO Certified to ASME A112.18.1/CSA B125.1
- EPA WaterSense Certified
- NSF/ANSI/CAN61:Q≤1
- CEC Certified/CALGreen compliant
- ADA Compliant - ANSI A117.1 (Lever Handle Only)



## Dimensions

