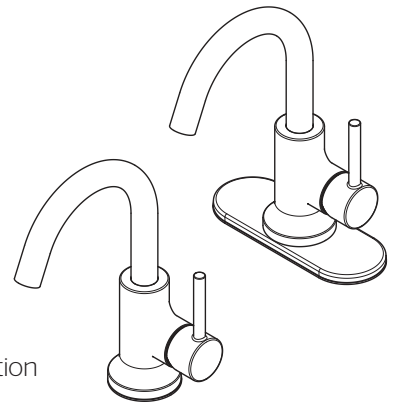


- LF-042-ZLB Finish(B)
- LF-042-ZLC Finish(C)
- LF-042-ZLGS Finish(GS)



- 1 or 3-Hole Installation
- Pforever Seal

Specifications

Features

- 1.2 GPM Flow Rate
- 1 or 3-Hole Installation
- High Arc Spout
- Optional Deckplate Included
- Push & Seal™ Drain Included
- Pfast Connect™ Supply Lines
- TiteSeal™ Deckplate
- Spot Defense™ Finish Resists Spots and Fingerprints (GS Finish Only)
- Pforever Seal™ Ceramic Disc Valve
- Limited Lifetime Warranty



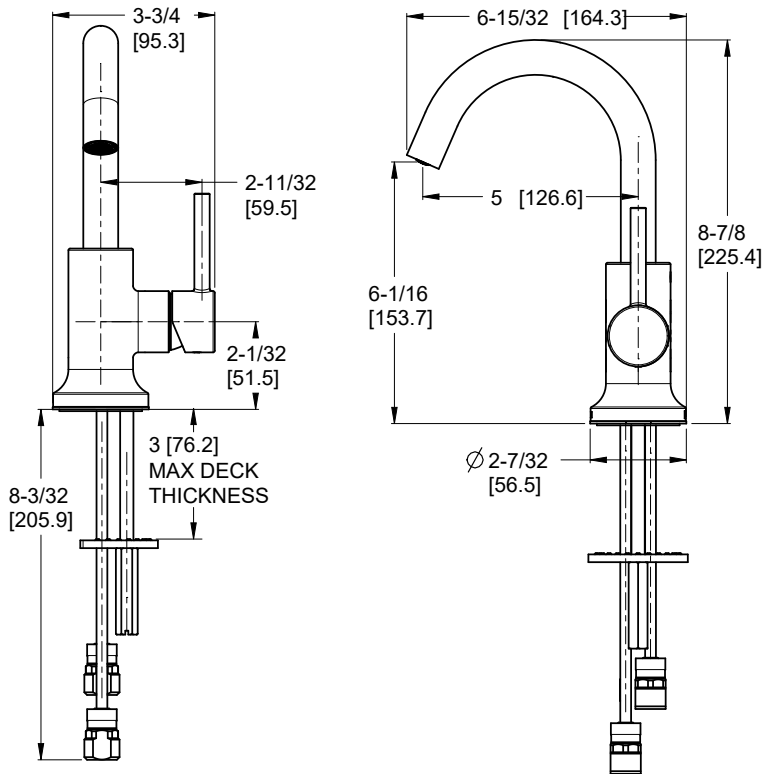
Code Compliance

Pfister products are designed and manufactured in compliance with the following standards and codes:

- IAPMO Certified to ASME A112.18.1/CSA B125.1
- EPA WaterSense Certified
- NSF/ANSI/CAN61:Q≤1
- CEC Certified/CALGreen compliant
- ADA Compliant - ANSI A117.1 (Lever Handle Only)

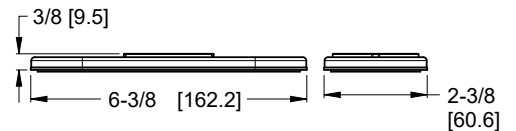


Dimensions



Ø1 Min to Ø1-1/2 Max. Deck Hole Openings

Optional Deckplate



Push & Seal™ Drain

