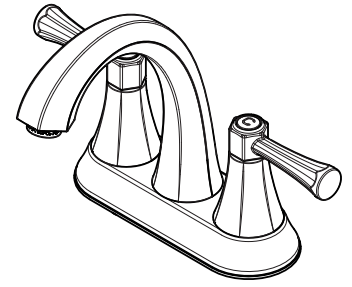


- LF-048-AVCC Finish(CC)
- LF-048-AVKK Finish(KK)



Specifications

Features

- 1.2 GPM Flow Rate
- 3-Hole Installation
- PVD Finish (KK Finish Only)
- Push and Seal™ Pop-Up
- Pforever Seal™ Ceramic Disc Valves
- Limited Lifetime Warranty



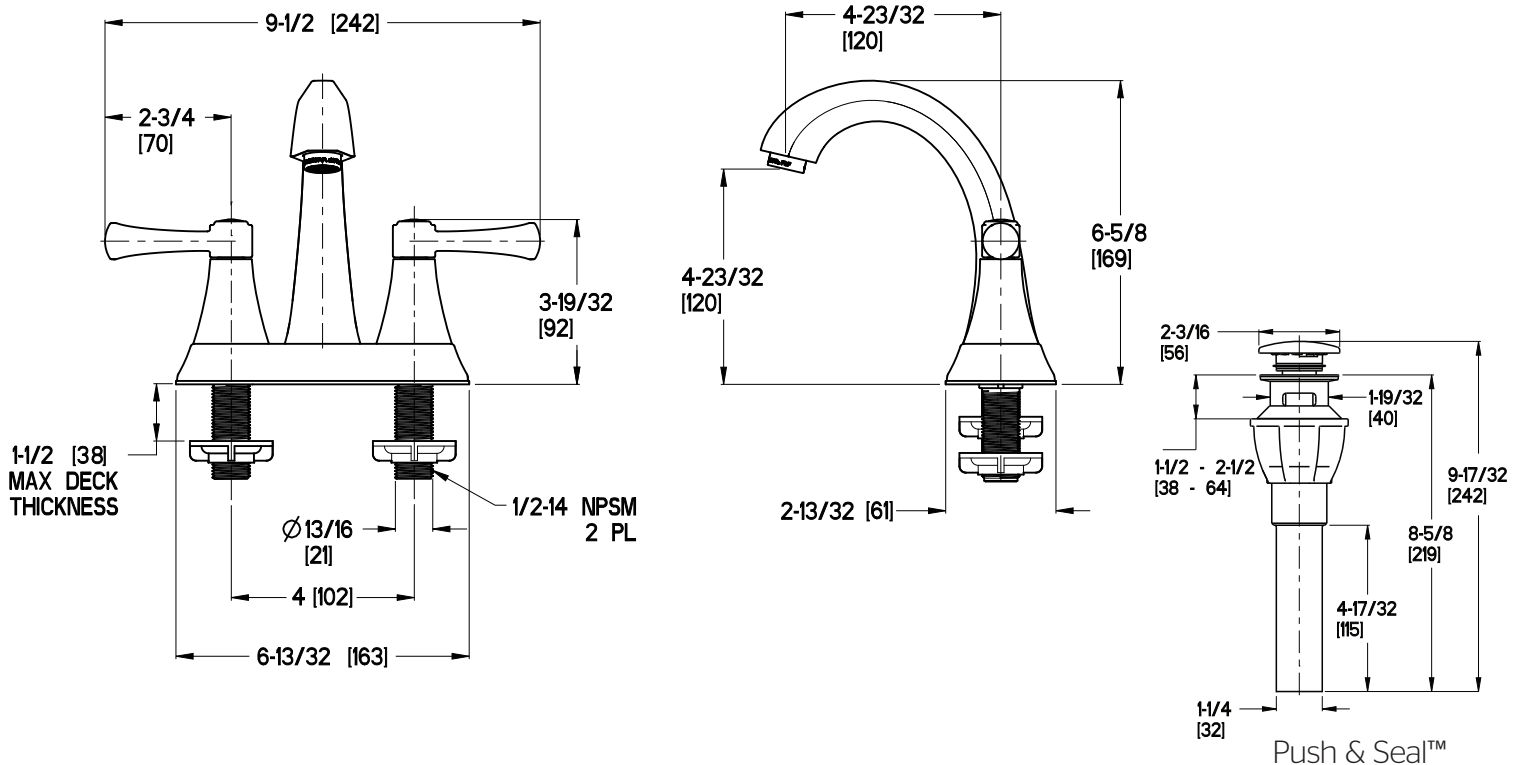
Code Compliance

Pfister products are designed and manufactured in compliance with the following standards and codes:

- IAPMO Certified to ASME A112.18.1/CSA B125.1
- NSF/ANSI/CAN61:Q≤1
- CEC Certified/CALGreen compliant
- EPA WaterSense Certified
- ADA Compliant - ANSI A117.1 (Lever Handle Only)



Dimensions



Ø1 Min to Ø1-1/2 Max. Deck Hole Openings