

- LF-048-CBOC Finish(C)
- LF-048-CBOK Finish(K)
- LF-048-CBOY Finish(Y)

Specifications

- Two-Handle
- 3-Hole Installation
- Pforever Seal

Features

- 1.2 GPM Flow Rate
- Solid Cast Brass Body and Spout
- Metal Lever Handles
- 3-Hole Installation
- Pop-Up Rod Included
- Includes Metal Supply Nuts
- High-Arc Decorative Spout
- Pforever Seal Ceramic Disc Valves
- Pforever Warranty®

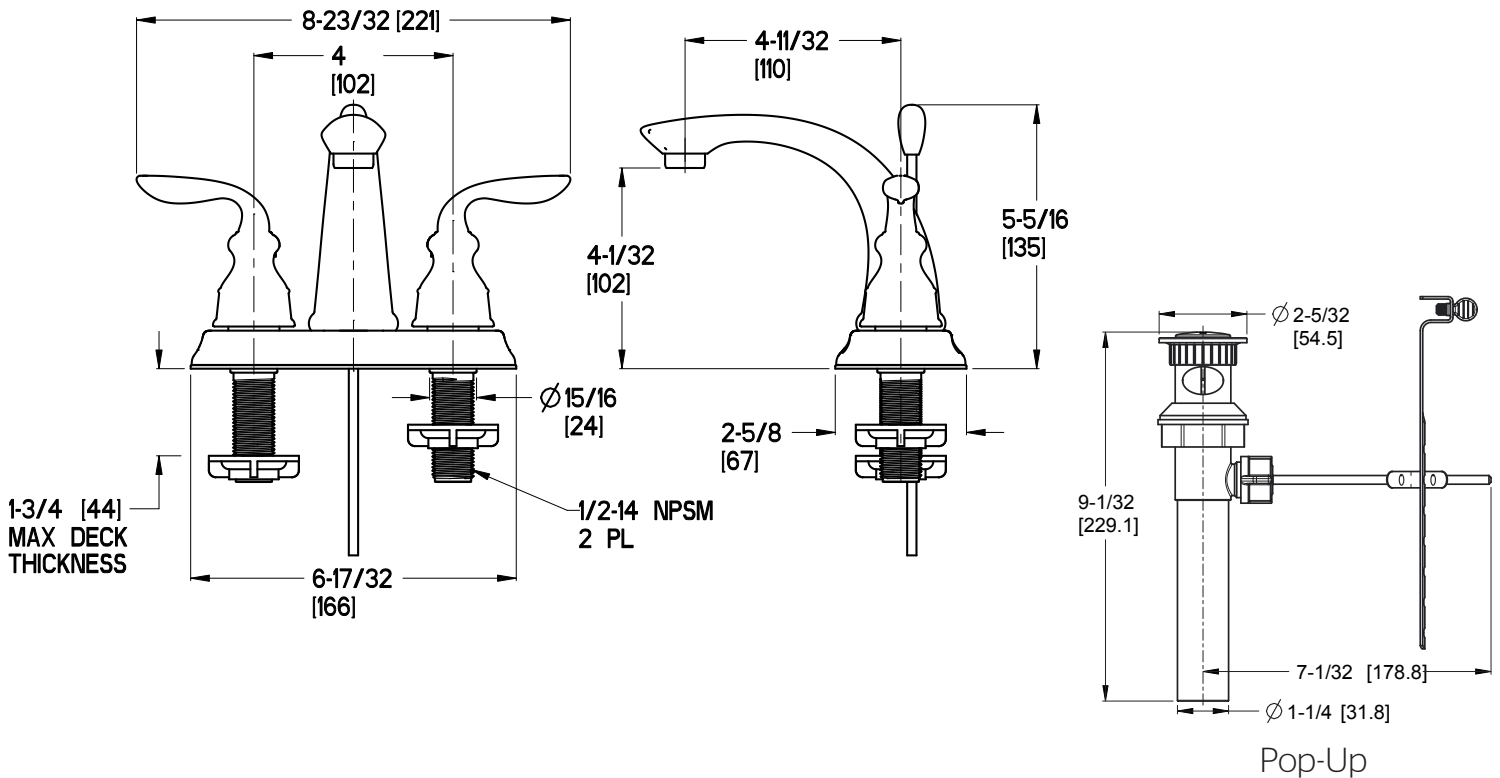
Code Compliance

Pfister products are designed and manufactured in compliance with the following standards and codes:

- IAPMO Certified
- CSA B125 Certified
- ASME A112.18.1
- NSF 61/9 Annex G (Low lead)
- Cal Green Compliant
- CEC Compliant
- EPA WaterSense Certification 1.2 gpm, 4.5 L/Min
- ADA Compliant-ANSI A117.1 (Lever handles only)



Dimensions



$\varnothing 1$ Min to $\varnothing 1-1/2$ Max. Deck Hole Openings