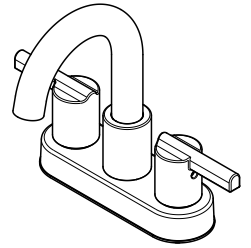


LF-048-FTBB Finish(BB)

LF-048-FTCC Finish(CC)



## Specifications

### Features

- 1.2 GPM Flow Rate
- Cache Aerator
- Fixed Spout
- Push & Seal™ Drain Included
- TiteSeal™ Technology
- Shear Valves
- Limited Lifetime Warranty



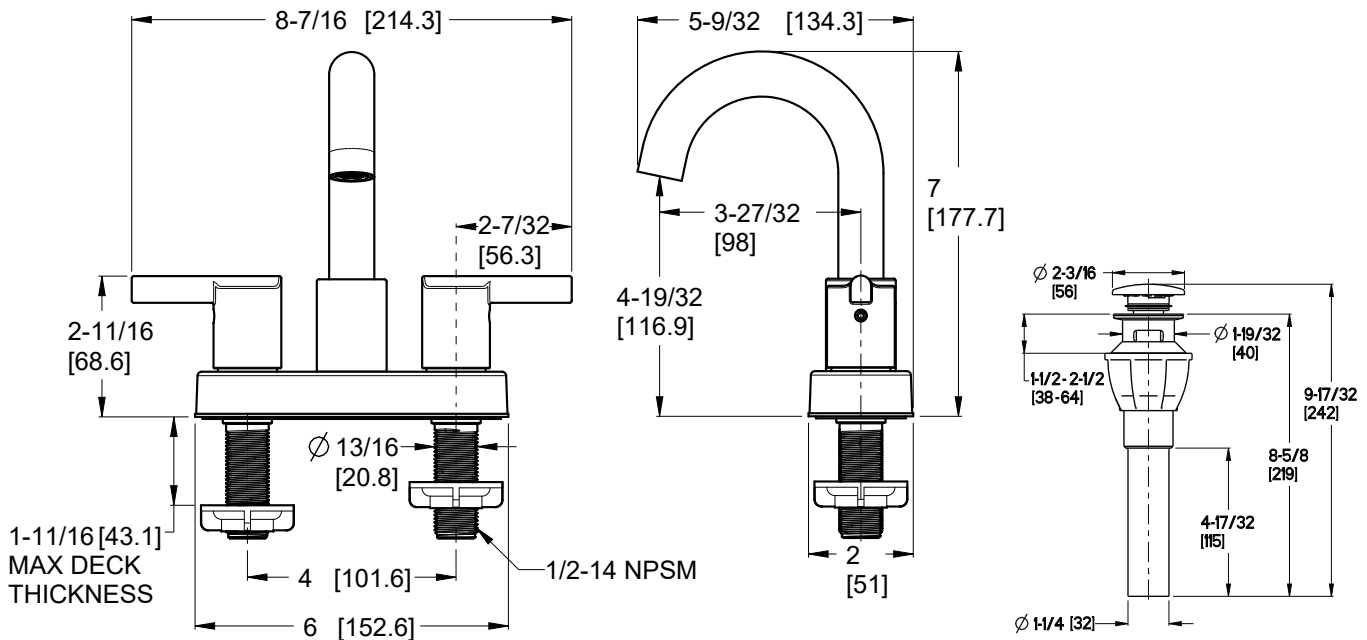
### Code Compliance

Pfister products are designed and manufactured in compliance with the following standards and codes:

- IAPMO Certified to ASME A112.18.1/CSA B125.1
- NSF/ANSI/CAN61:Q≤1
- EPA WaterSense Certified
- CEC Certified/CALGreen compliant
- ADA Compliant - ANSI A117.1 (Lever Handles Only)



## Dimensions



Push & Seal™ Drain

$\varnothing$ 1 Min to  $\varnothing$ 1-1/2 Max. Deck Hole Openings