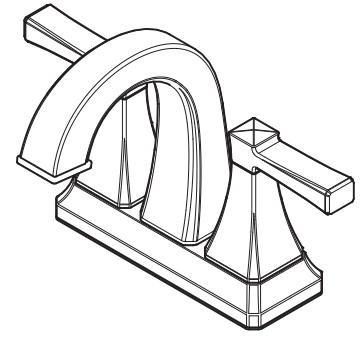


4" Centerset Lavatory Faucet

- *LF-048-HLBB Finish(BB)
- LF-048-HLCC Finish(CC)
- LF-048-HLKK Finish(KK)
- LF-048-HLYY Finish(Y Y)

**International Only*



Specifications

- 3-Hole Installation
- Push & Seal™ Pop-Up

Features

- 1.2 GPM Flow Rate
- Fixed Hub
- 3-Hole Installation
- High Arc Spout
- Mounting Hardware Included
- TiteSeal™ Deckplate
- PVD Finish (KK Finish Only)
- Push & Seal™ Pop-Up
- Pforever Warranty®

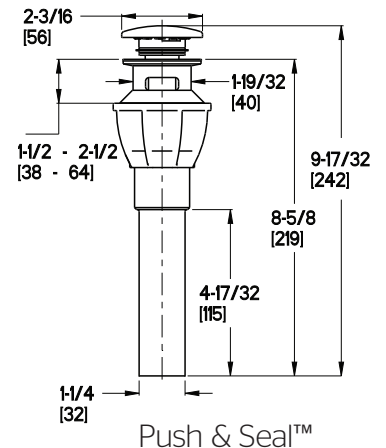
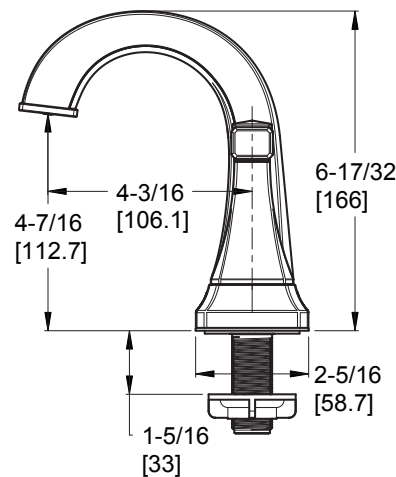
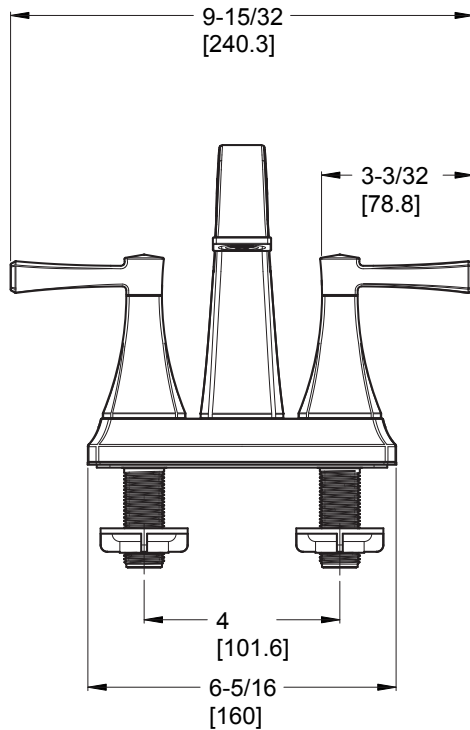
Code Compliance

Pfister products are designed and manufactured in compliance with the following standards and codes:

- IAPMO Certified
- CSA B125 Certified
- ASME A112.18.1
- NSF 61/9 Annex G (Low lead)
- Cal Green Compliant
- CEC Compliant
- EPA Watersense Certification 1.2 gpm, 4.5 L/Min
- ADA Compliant-ANSI A117.1 (Lever handles only)



Dimensions



Ø1 Min to Ø1-1/2 Max. Deck Hole Openings