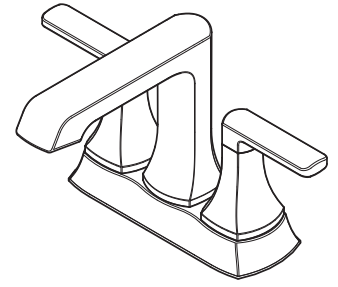


- LF-048-PEBB Finish(BB)
- LF-048-PECC Finish(CC)
- LF-048-PEGS Finish(GS)



Specifications

- Fixed Hubs
- Push & Seal™ Pop-Up

Features

- 1.2 GPM Flow Rate
- Spot Defense™ Finish Resists Spots and Fingerprints (GS Finish Only)
- All Metal Construction
- Fixed Hubs
- Mounting Hardware Included
- TiteSeal™ Technology
- Push & Seal™ Pop-Up
- Limited Lifetime Warranty



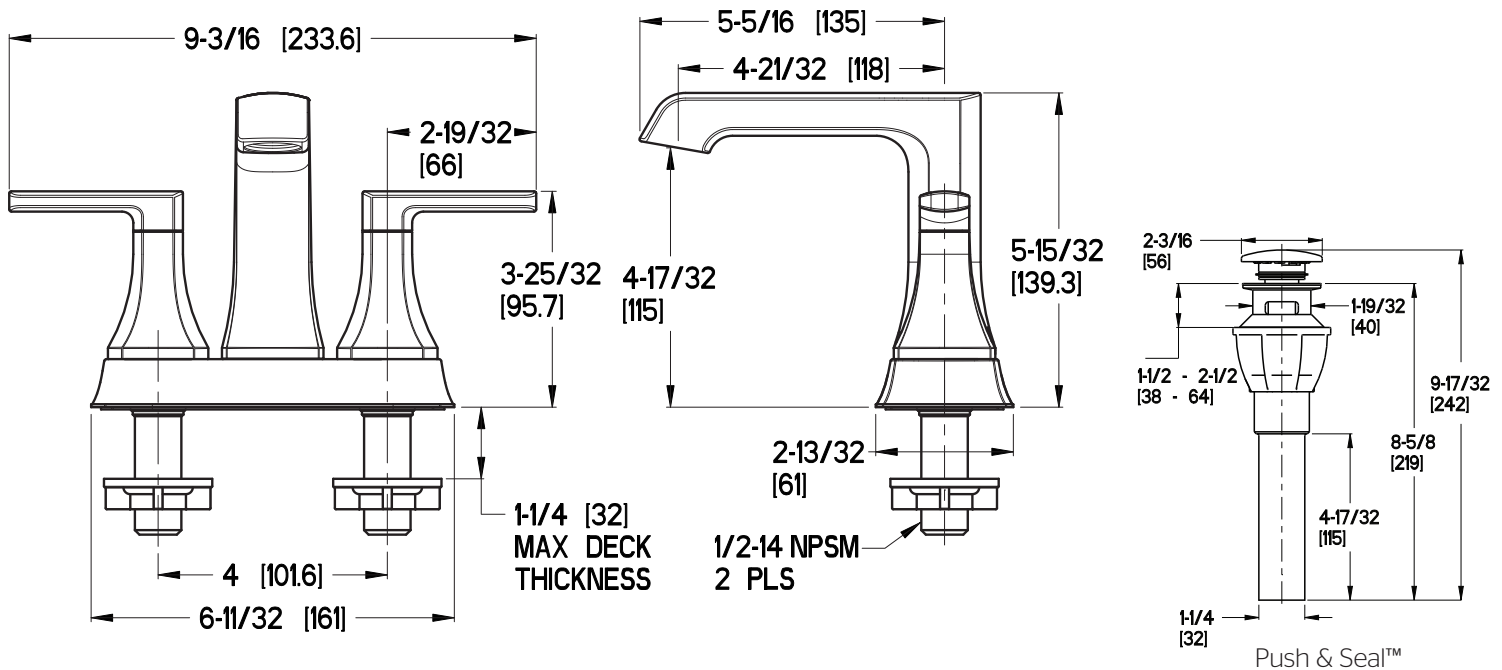
Code Compliance

Pfister products are designed and manufactured in compliance with the following standards and codes:

- IAPMO Certified to ASME A112.18.1/CSA B125.1
- NSF/ANSI/CAN61:Q≤1
- CEC Certified/CALGreen compliant
- EPA WaterSense Certified
- ADA Compliant - ANSI A117.1 (Lever Handles Only)



Dimensions



Ø1 Min to Ø1-1/2 Max. Deck Hole Openings