

Specifications

Features

- 1.2 GPM Flow Rate
- Adjustable 3-Hole Installation
- High Arc Spout
- Quick Install Tool
- 360° Rotating Swivel Spout
- TiteSeal™ Technology
- White Ceramic Handles
- Push & Seal™ Pop-Up
- Pforever Seal™ Ceramic Disc Valves
- Limited Lifetime Warranty

Code Compliance

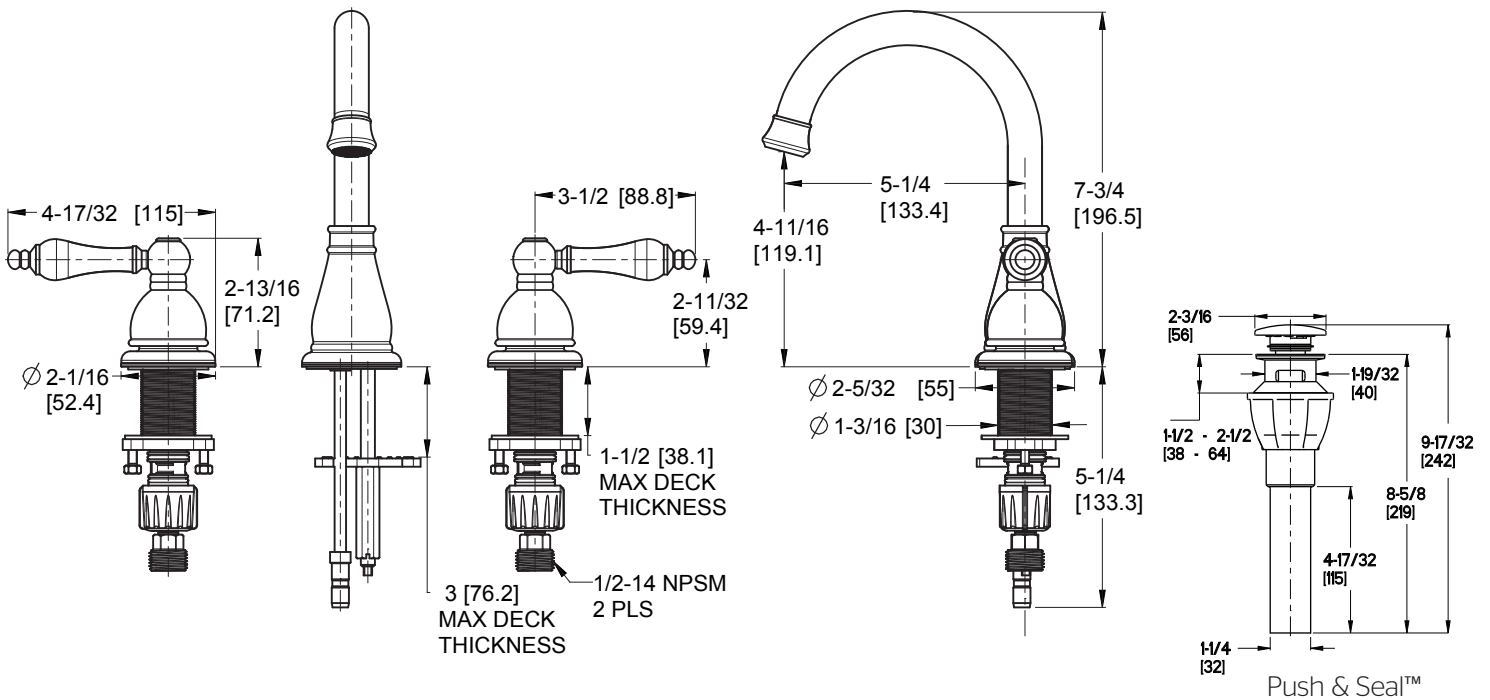


Pfister products are designed and manufactured in compliance with the following standards and codes:

- IAPMO Certified to ASME A112.18.1/CSA B125.1
- NSF/ANSI/CAN61:Q≤1
- CEC Certified/CALGreen compliant
- EPA WaterSense Certified
- ADA Compliant - ANSI A117.1 (Lever Handles Only)



Dimensions



Ø1-1/4 Min to Ø1-1/2 Max. Deck Hole Openings