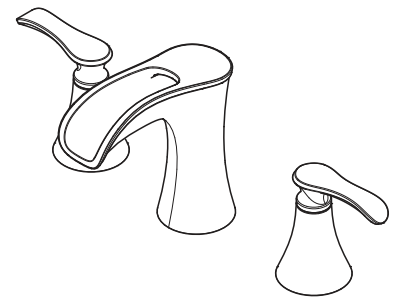


- LF-049-JDCC Finish(CC)
- LF-049-JDGS Finish(GS)
- LF-049-JDYY Finish(YY)



Specifications

Features

- 1.2 GPM Flow Rate
- Adjustable 3-Hole Installation
- All Metal Construction
- Color Coded Connections
- Fixed Hubs
- Mounting Hardware Included
- TiteSeal™ Technology
- Quick Install Tool Included
- Trough Spout
- Spot Defense™ Finish Resists Spots and Fingerprints (GS Finish Only)
- Pfast Connect Supply Lines
- Push & Seal™ Pop-Up
- Pforever Seal™ Ceramic Disc Valves
- Limited Lifetime Warranty

- Pfast Connect Supply Lines
- Pforever Seal
- Push & Seal™ Pop-Up

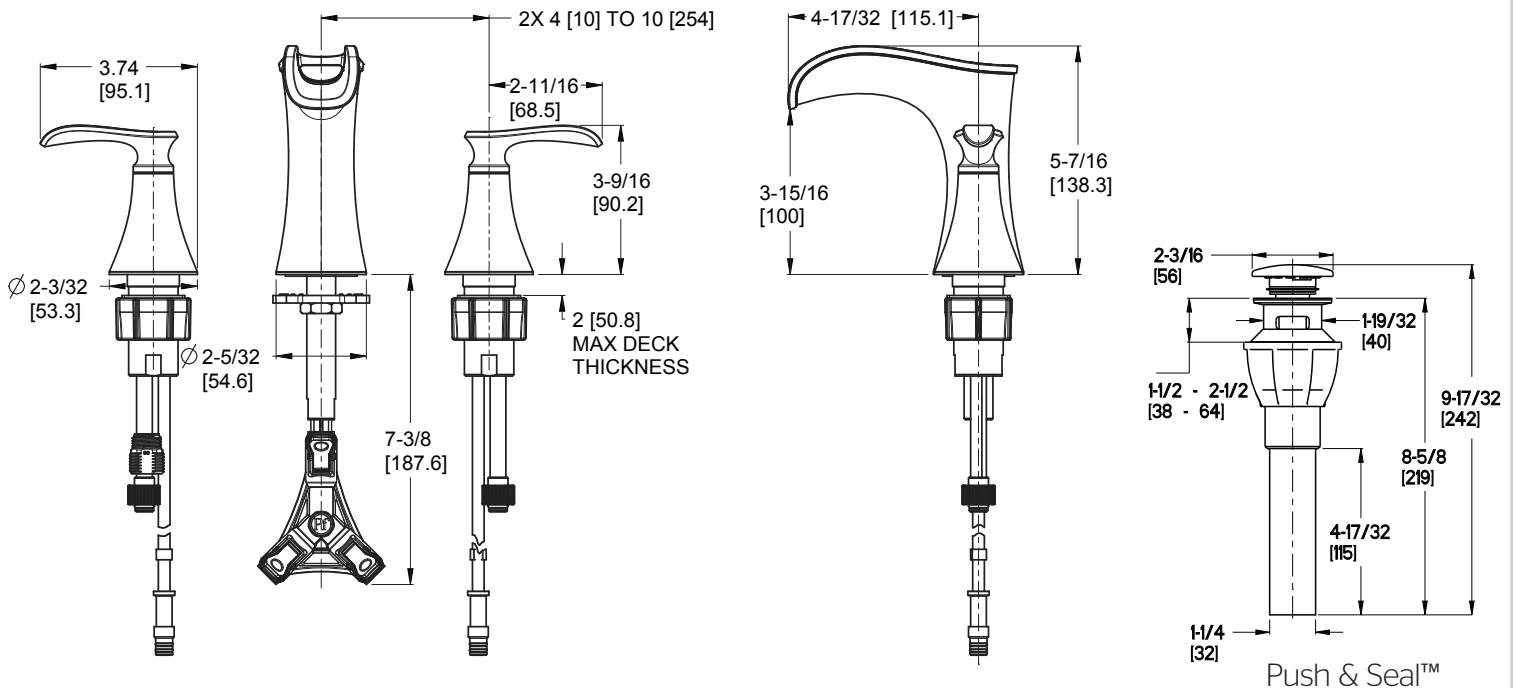
Code Compliance

Pfister products are designed and manufactured in compliance with the following standards and codes:

- IAPMO Certified to ASME A112.18.1/CSA B125.1
- NSF/ANSI/CAN61:Q≤1
- CEC Certified/CALGreen compliant
- EPA WaterSense Certified
- ADA Compliant - ANSI A117.1 (Lever Handles Only)



Dimensions



Ø1-1/4 Min to Ø1-1/2 Max. Deck Hole Openings