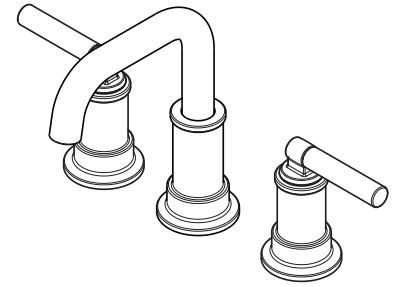


LF-049-KIEBB Finish(BB)

LF-049-KIEGS Finish(GS)



- 360° Rotating Spout
- Push & Seal™ Pop-Up
- Pforever Seal™

Specifications

Features

- 1.2 GPM Flow Rate
- 360° Rotating Spout
- Spot Defense™ Finish Resists Spots and Fingerprints (GS Finish Only)
- All Metal Construction
- Adjustable 3-Hole Installation
- Mounting Hardware Included
- Pfast Connect™ Supply Lines
- Laminar Water Flow
- Quick Install Tool Included
- Nylon Flex-Lines
- TiteSeal™ Technology
- Push & Seal™ Pop-Up Drain
- Pforever Seal™ Ceramic Disc Valves
- Limited Lifetime Warranty



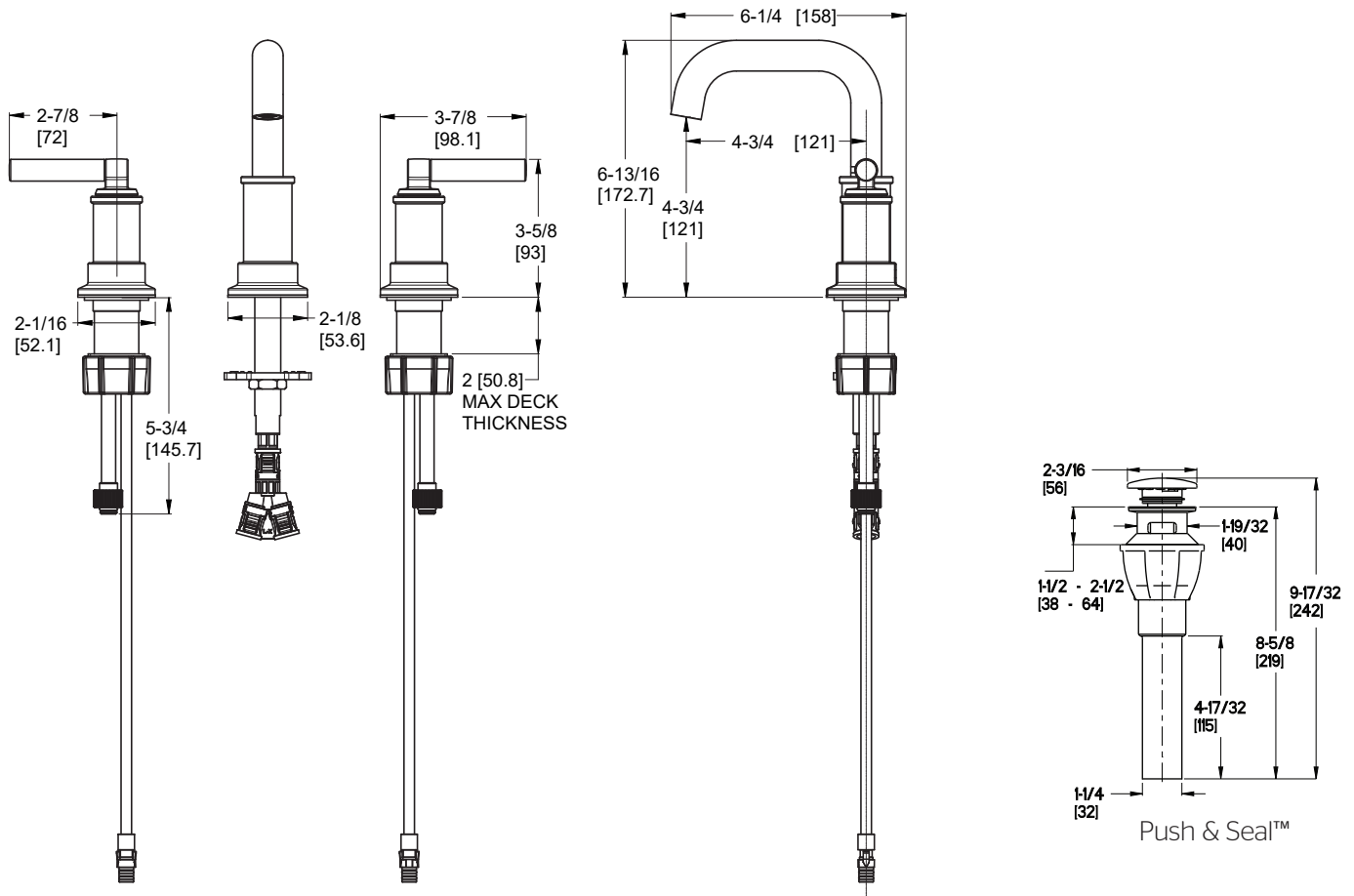
Code Compliance

Pfister products are designed and manufactured in compliance with the following standards and codes:

- IAPMO Certified to ASME A112.18.1/CSA B125.1
- EPA WaterSense Certified
- NSF/ANSI/CAN61:Q≤1
- CEC Certified/CALGreen compliant
- ADA Compliant - ANSI A117.1 (Lever Handles Only)



Dimensions



Ø1-1/4 Min to Ø1-1/2 Max. Deck Hole Openings