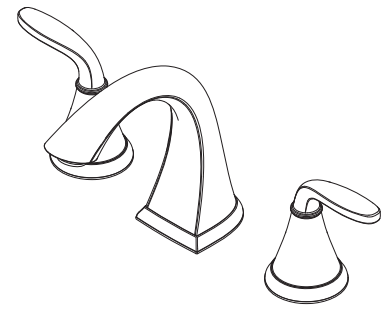


- LF-049-PDCC Finish(CC)
- LF-049-PDKK Finish(KK)
- LF-049-PDSL Finish(SL)
- LF-049-PDYY Finish(YY)



Specifications

Features

- 1.2 GPM Flow Rate
- Mounting Hardware Included
- Quick Install Tool Included
- Pfast Connect™
- Metal Lever Handles
- 3-Hole Installation
- High Arc Spout
- TiteSeal™ Technology
- Audible Indicators
- Color Coded Connections
- Push & Seal™ Pop-Up
- Pforever Seal™ Ceramic Disc Valves
- Limited Lifetime Warranty

- Adjustable Install
- Push & Seal™ Pop-Up
- Pforever Seal™

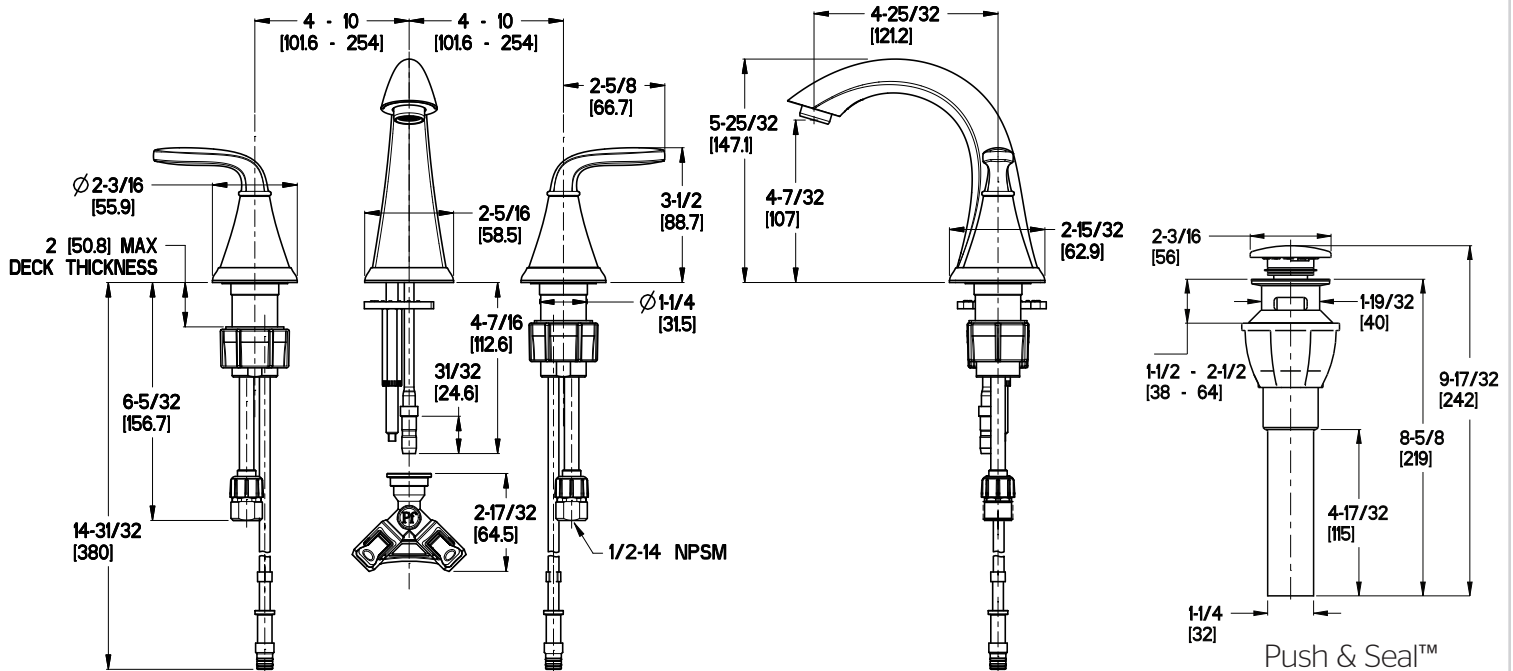
Dimensions

Code Compliance



Pfister products are designed and manufactured in compliance with the following standards and codes:

- IAPMO Certified to ASME A112.18.1/CSA B125.1
- EPA WaterSense Certified
- NSF/ANSI/CAN61:Q≤1
- CEC Certified/CALGreen compliant
- ADA Compliant - ANSI A117.1 (Lever Handles Only)



Ø1-1/4 Min to Ø1-1/2 Max. Deck Hole Openings