

Specifications

Features

- 1.2 GPM Flow Rate
- 3-Hole Installation
- Push & Seal™ Drain Included
- Mounting Hardware Included
- TiteSeal™ Technology
- Pforever Seal™ Ceramic Disc Valves
- Limited Lifetime Warranty

- 3-Hole Installation
- Pforever Seal™

Code Compliance

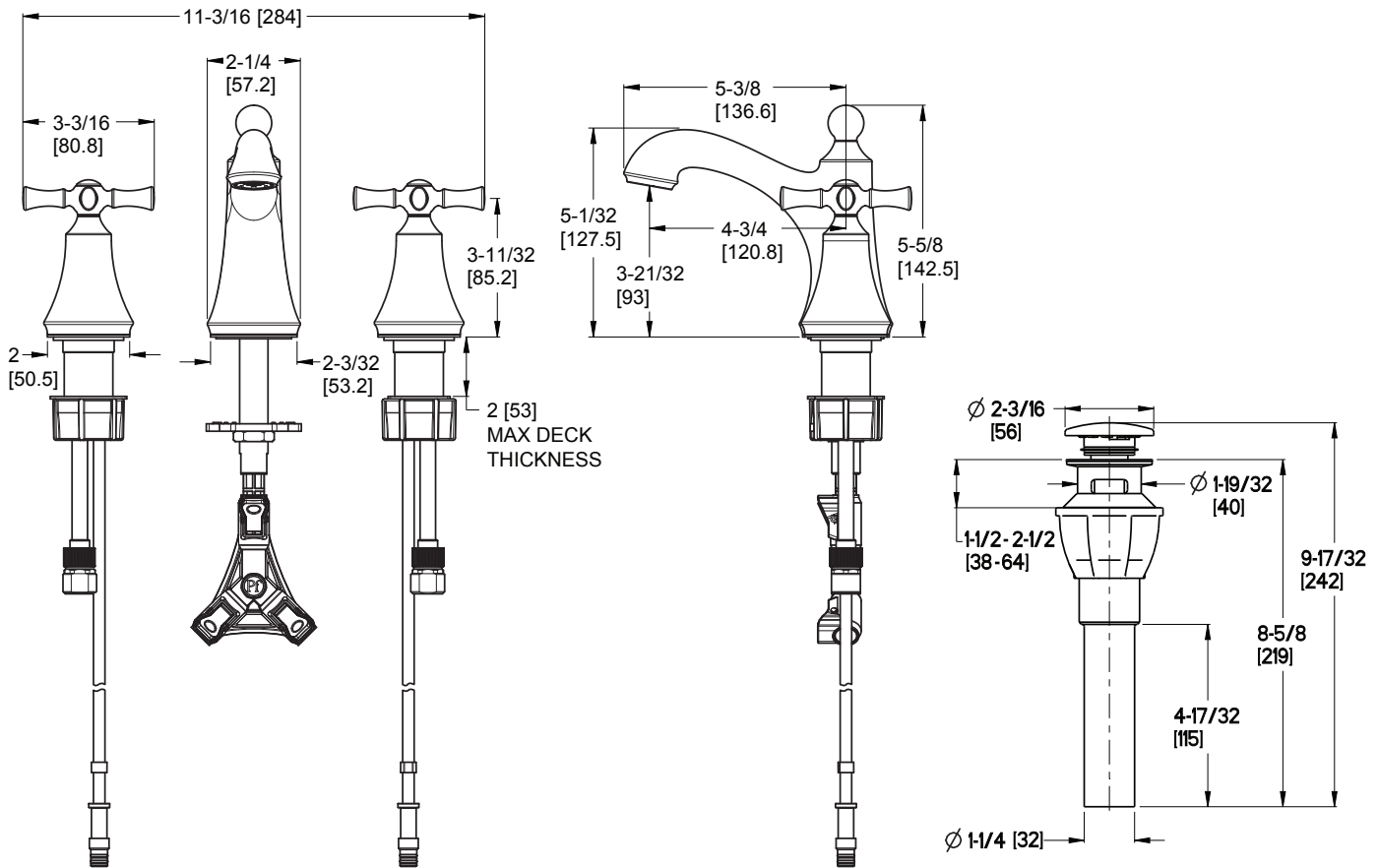


Pfister products are designed and manufactured in compliance with the following standards and codes:

- IAPMO Certified to ASME A112.18.1/CSA B125.1
- NSF/ANSI/CAN61:Q≤1
- CEC Certified/CALGreen compliant
- EPA WaterSense Certified
- ADA Compliant - ANSI A117.1 (Lever Handles Only)



Dimensions



Push & Seal™ Drain

Ø1-1/4 Min to Ø1-1/2 Max. Deck Hole Openings