

Specifications

- Single Control
- 3-Hole Installation
- Pforever Seal

Features

- 1.8 GPM Flow Rate
- 8" and 6" Copper Inlet Lines
- All Metal Construction
- 3-Hole Installation
- Mounting Hardware Included
- Mounting Posts Included
- Swivel Spout
- Pforever Seal Ceramic Disc Valve
- Pforever Warranty®

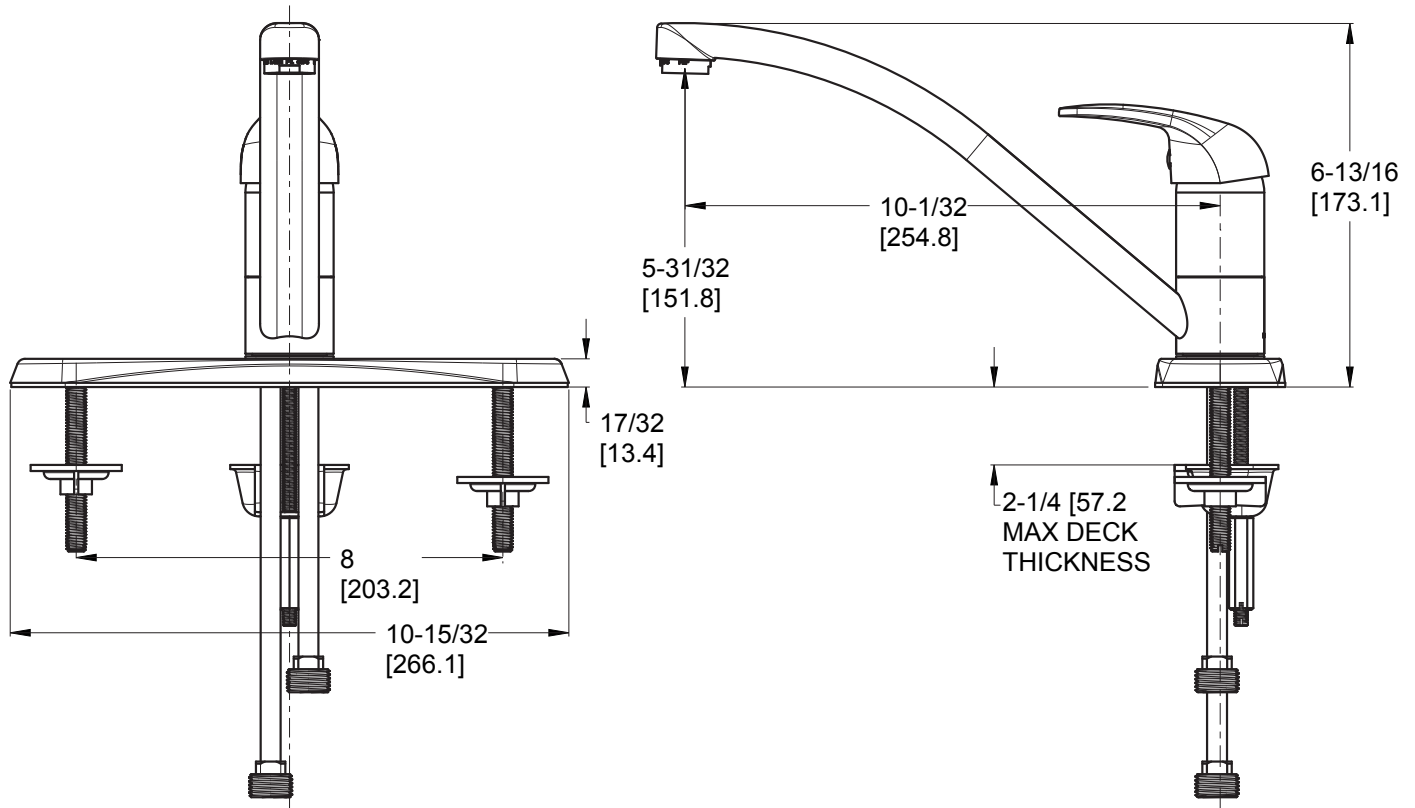
Code Compliance

Pfister products are designed and manufactured in compliance with the following standards and codes:

- IAPMO Certified
- CSA B125 Certified
- ASME A112.18.1
- NSF 61/9 Annex G (Low lead)
- CEC Compliant
- Cal Green Compliant
- ADA Compliant-ANSI A117.1 (Lever handles only)



Dimensions



$\emptyset 1\text{-}3/8$ Min to $\emptyset 1\text{-}1/2$ Max. Deck Hole Openings