

Specifications

- 3-Hole Installation
- Stainless Steel Ball Stem Valve

Features

- 1.2 GPM Flow Rate
- Pro Pack Contains 2 Faucets and 2 Push & Seal™ Drains
- Metal Lever Handle
- 3-Hole Installation
- Stainless Steel Ball Stem Valve
- Limited Lifetime Warranty

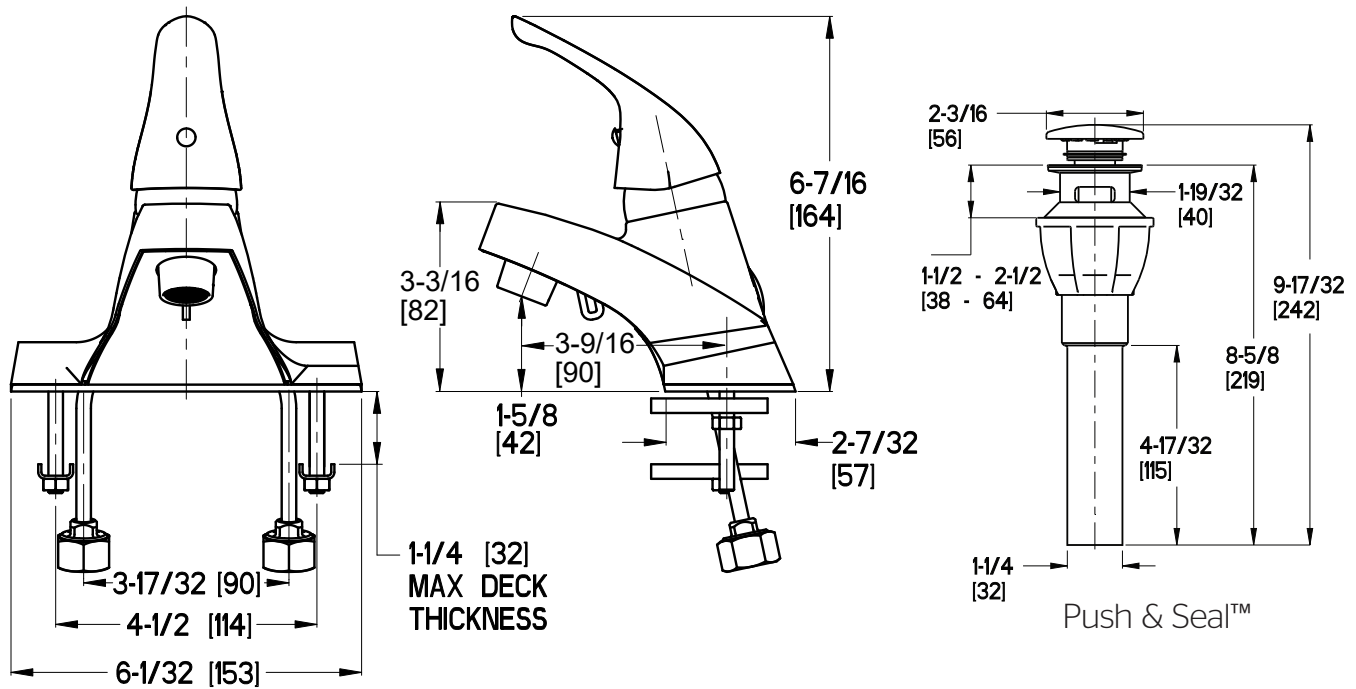
Code Compliance

Pfister products are designed and manufactured in compliance with the following standards and codes:

- IAPMO Certified to ASME A112.18.1/CSA B125.1
- NSF/ANSI/CAN61:Q≤1
- CEC Certified/CALGreen compliant
- EPA WaterSense Certified
- ADA Compliant - ANSI A117.1 (Lever Handles Only)



Dimensions



Ø1 Min to Ø1-1/2 Max. Deck Hole Openings