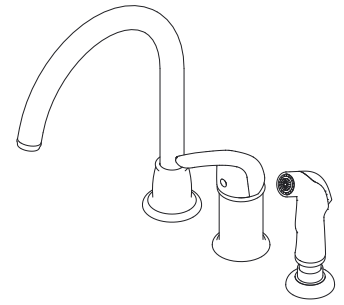


LFWK1-680C Finish(C)

LFWK1-680S Finish(S)



## Specifications

- High Arc Spout
- Pfast Connect

### Features

- 1.8 GPM Flow Rate
- High Arc Swivel Spout
- 360° Rotating Spout
- Mounting Hardware Included
- Matching Side Spray Included
- Pfast Connect™
- Included Matching Side Spray
- Pforever Seal Ceramic Disc Valve
- Pforever Warranty®

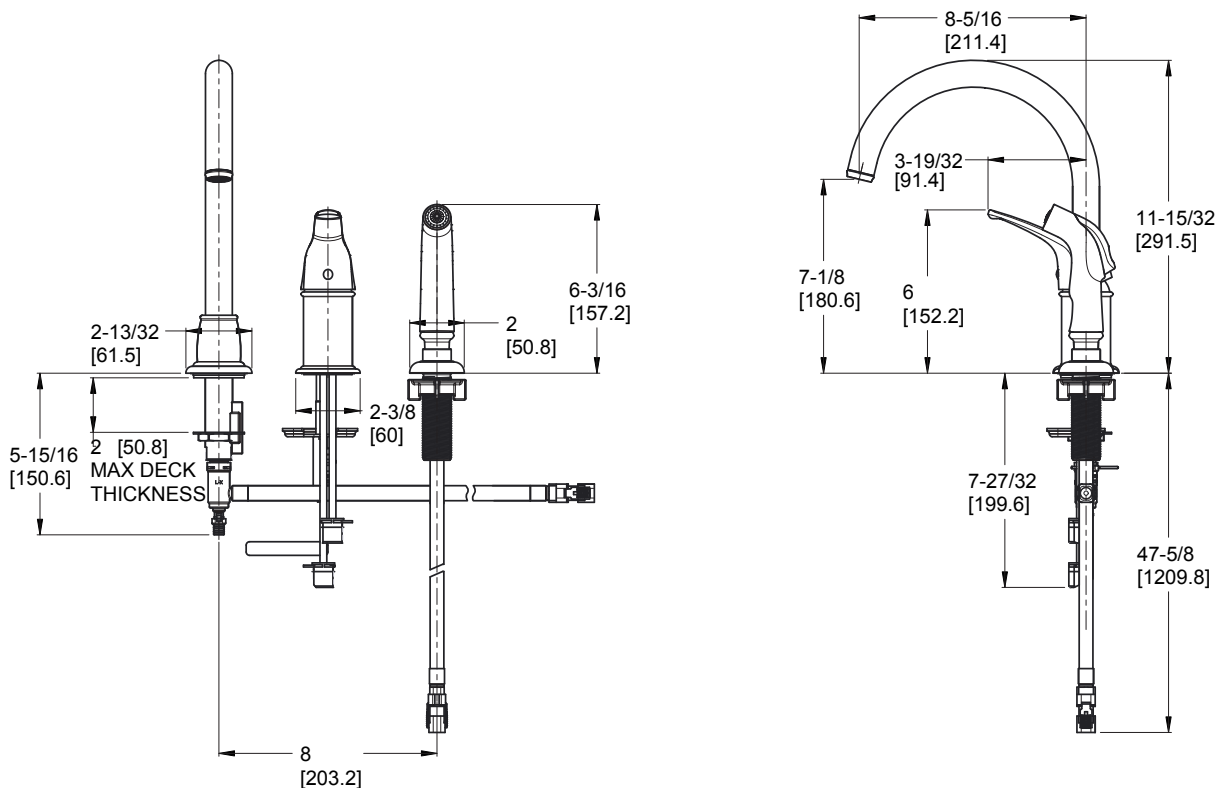
### Code Compliance

Pfister products are designed and manufactured in compliance with the following standards and codes:

- IAPMO Certified
- CSA B125 Certified
- ASME A112.18.1
- NSF 61/9 Annex G (Low lead)
- CEC Compliant
- Cal Green Compliant
- ADA Compliant-ANSI A117.1 (Lever handles only)
- ASME A112.18.3 (Backflow Prevention)



## Dimensions



Ø1-3/8 Min to Ø1-1/2 Max. Deck Hole Openings