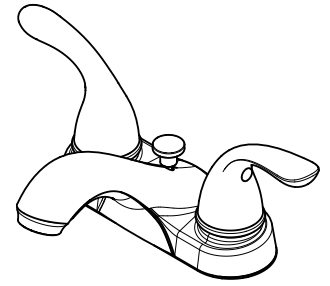


LF-WL2-230C Finish(C)

LF-WL2-230K Finish(K)



## Specifications

### Features

- 1.2 GPM Flow Rate
- Mounting Hardware Included
- Mounting Posts Included
- Pop-Up Drain Included
- Pforever Warranty®

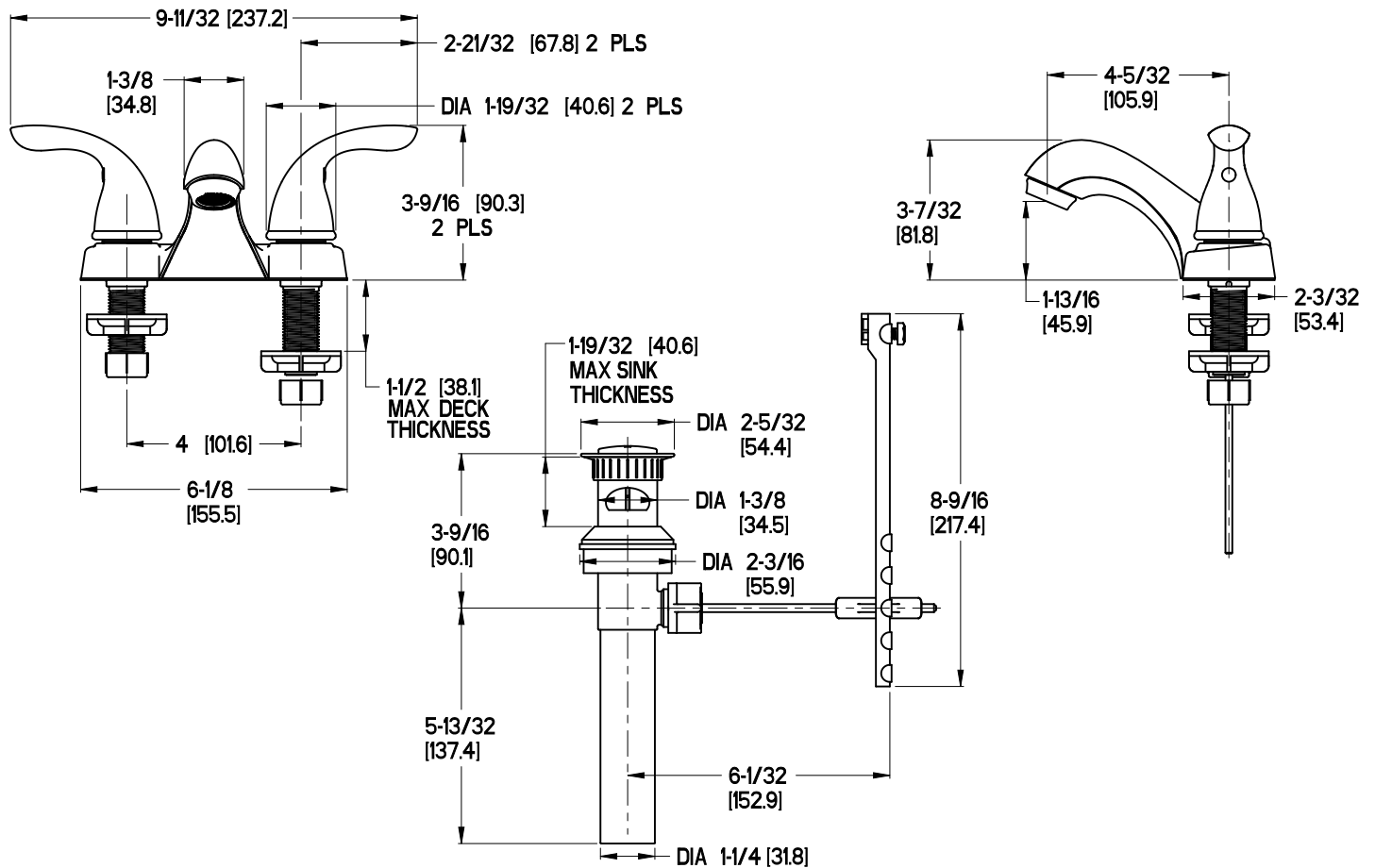
### Code Compliance

Pfister products are designed and manufactured in compliance with the following standards and codes:

- IAPMO Certified
- CSA B125 Certified
- ASME A112.18.1
- NSF 61/9 Annex G (Low lead)
- Cal Green Compliant
- CEC Compliant
- EPA Watersense Certification 1.2 gpm, 4.5L/Min
- ADA Compliant-ANSI A117.1 (Lever handles only)



## Dimensions



Ø1 Min to Ø1-1/2 Max. Deck Hole Openings