

### Specifications

#### Features

- 1.2 GPM Flow Rate
- Metal Lever Handles
- Optional Copper Inlet Line Kit Included
- 50/50 Pop-Up Drain
- Stainless Steel Ball Valve
- Limited Lifetime Warranty

- Single Handle
- 3-Hole Installation
- Stainless Steel Ball Valve

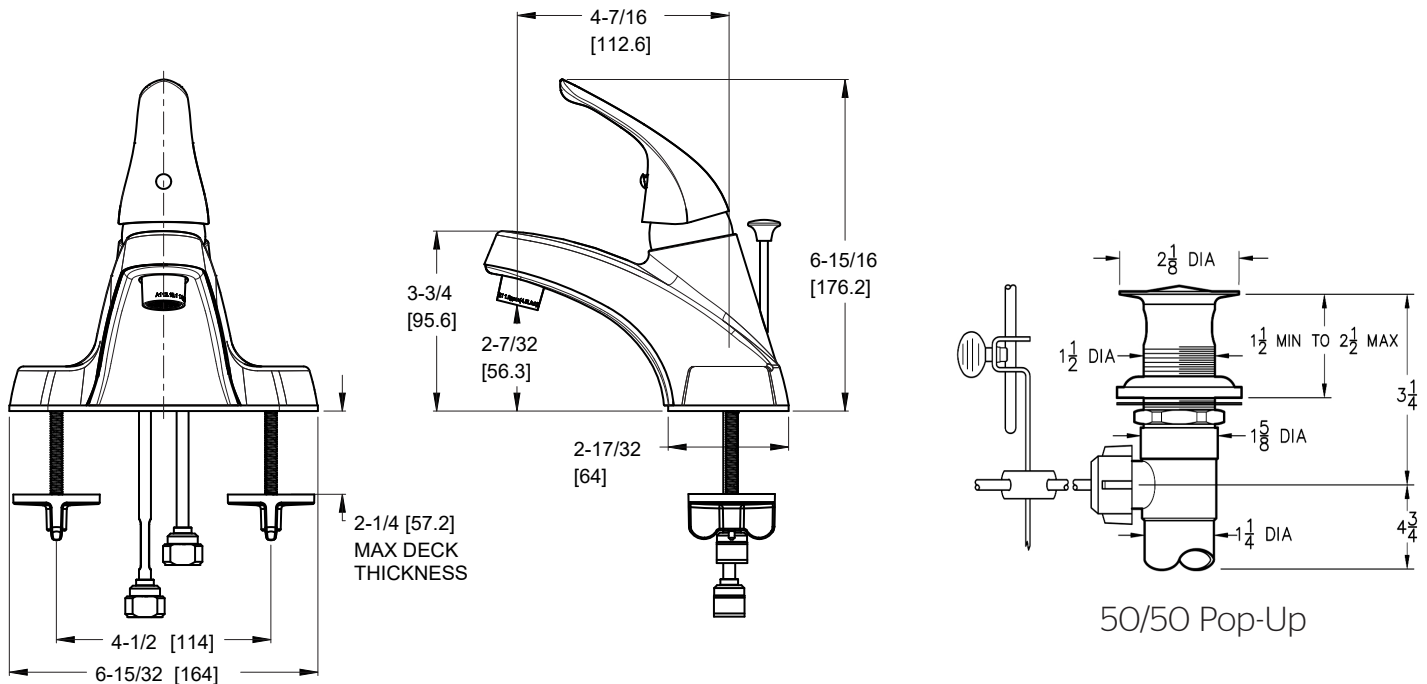
#### Code Compliance

Pfister products are designed and manufactured in compliance with the following standards and codes:

- IAPMO Certified to ASME A112.18.1/CSA B125.1
- EPA WaterSense Certified
- NSF/ANSI/CAN61:Q≤1
- CEC Certified/CALGreen compliant
- ADA Compliant - ANSI A117.1 (Lever Handle Only)



### Dimensions



Ø1 Min to Ø1-1/2 Max. Deck Hole Openings